

# TOMOS

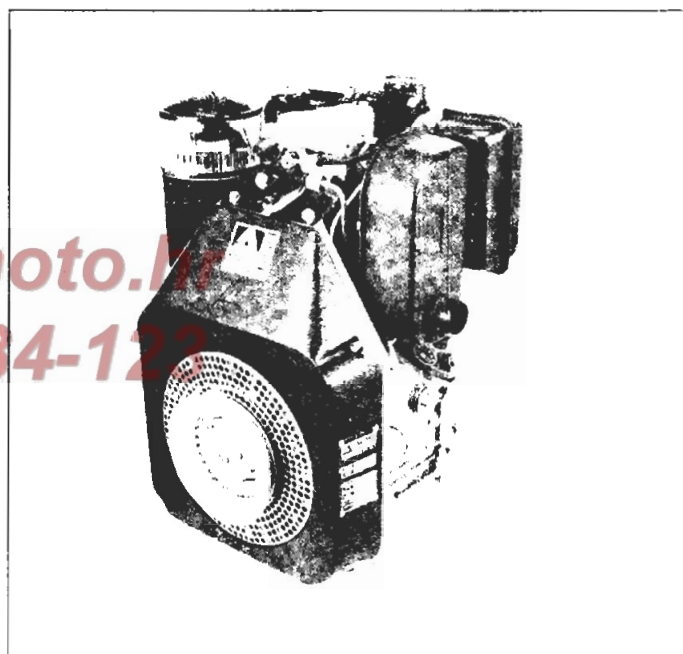
SERVISNA  
SLUŽBA

IZDAJA 1

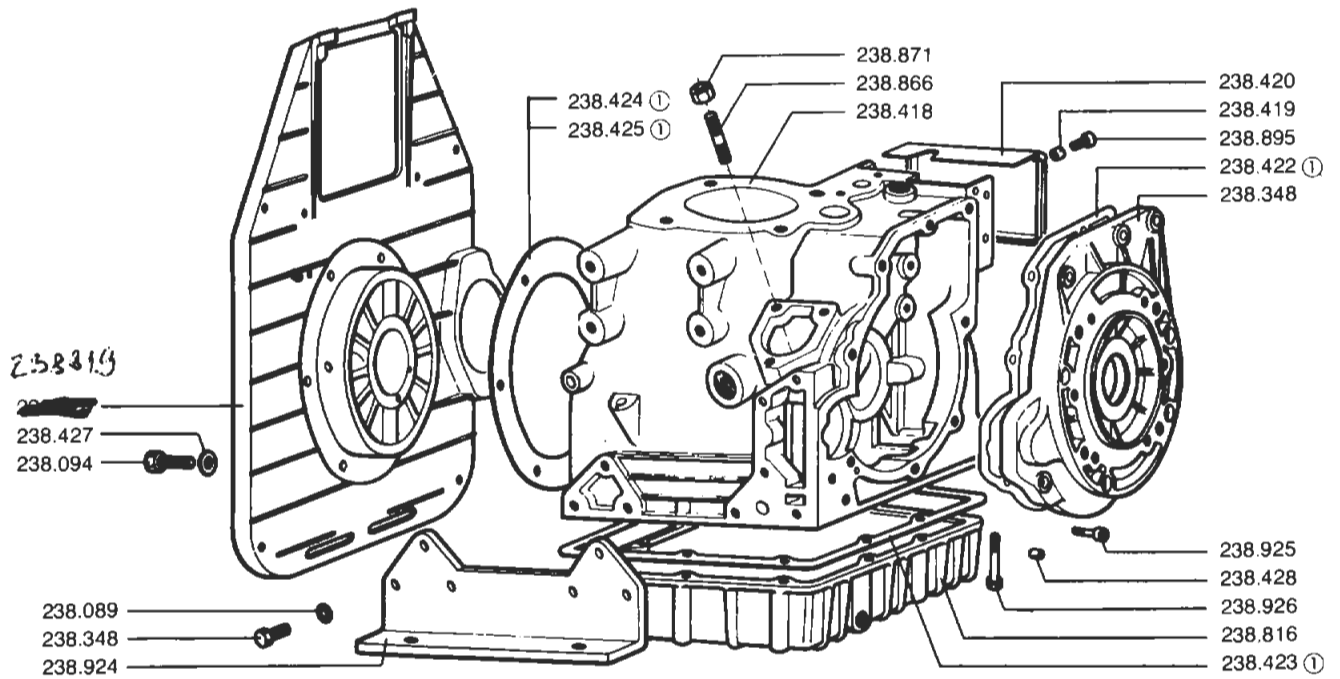
005

## ADN 37 W 43 W

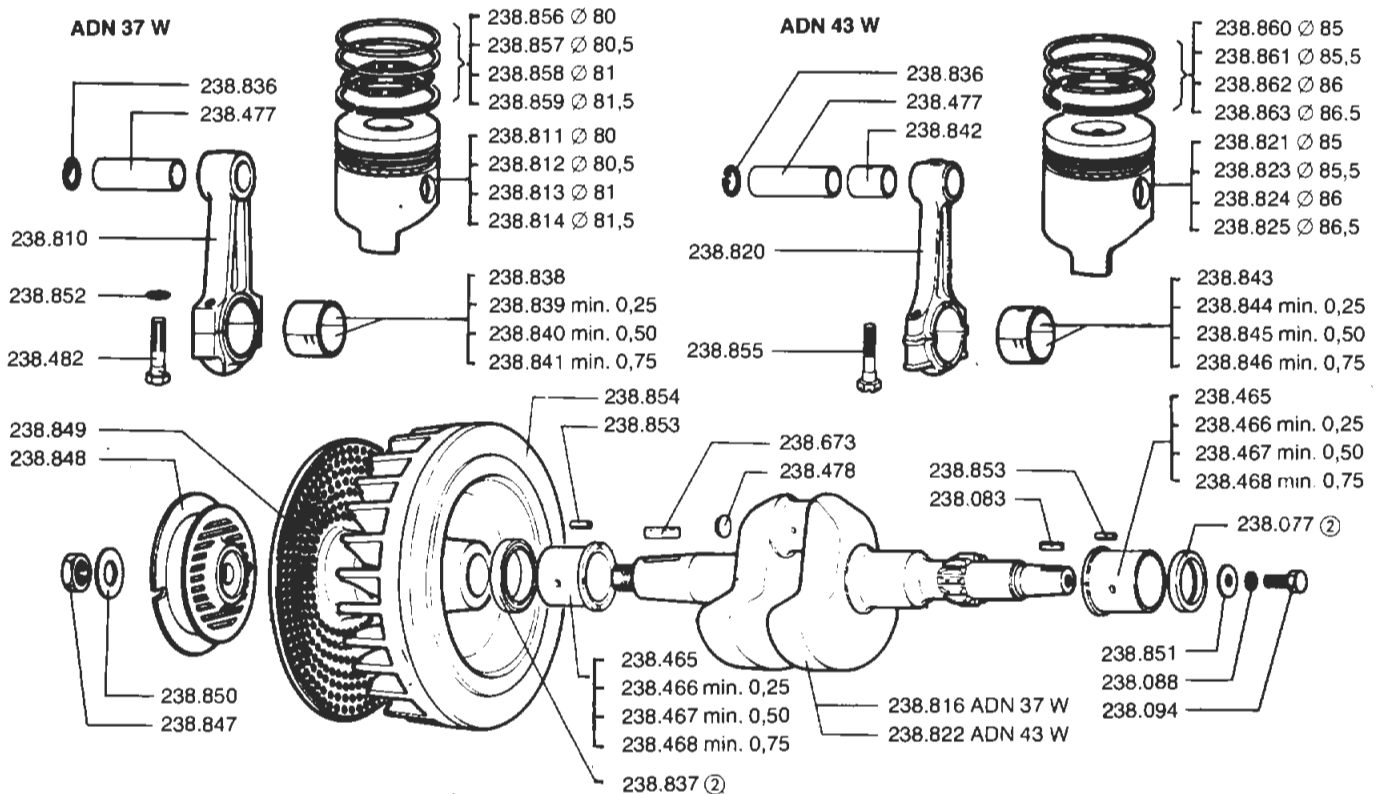
[www.agmoto.lt](http://www.agmoto.lt)  
tel 051-584-122



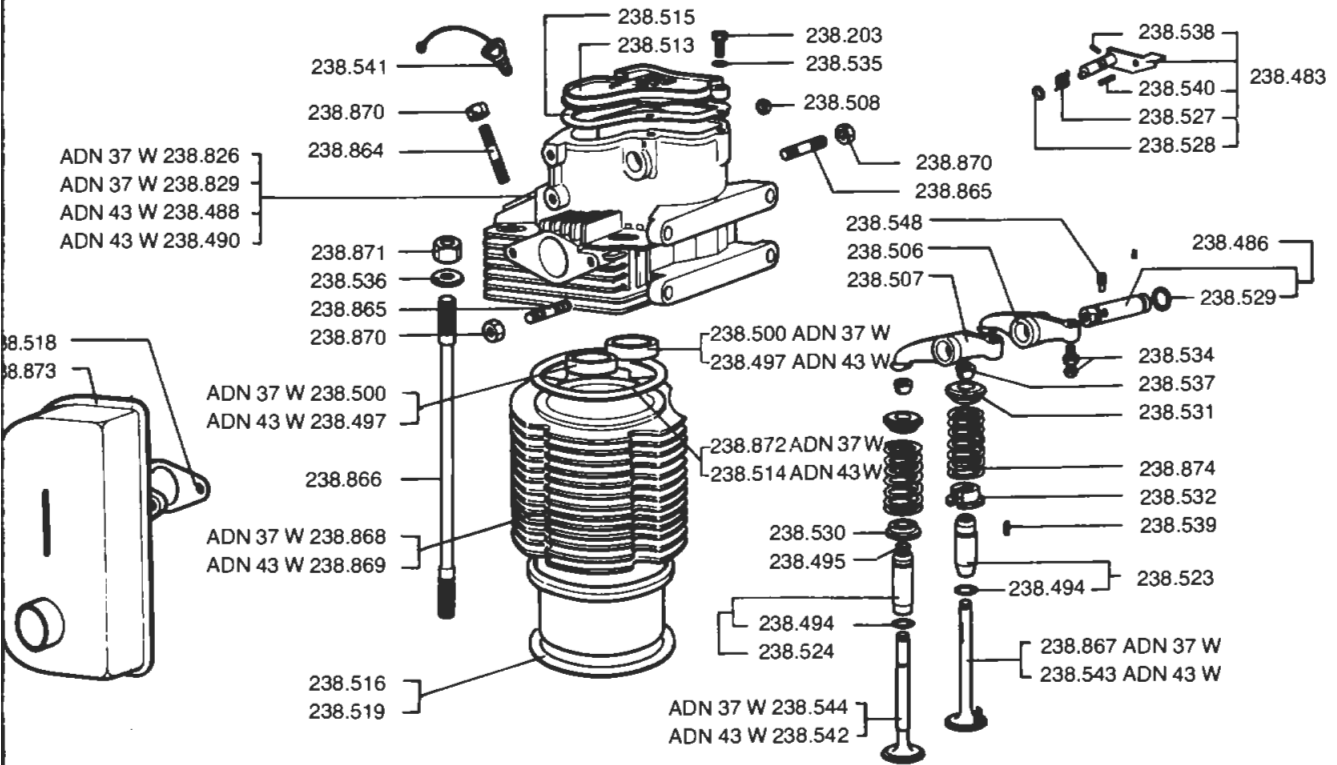
## 1987 REZERVNI DELI



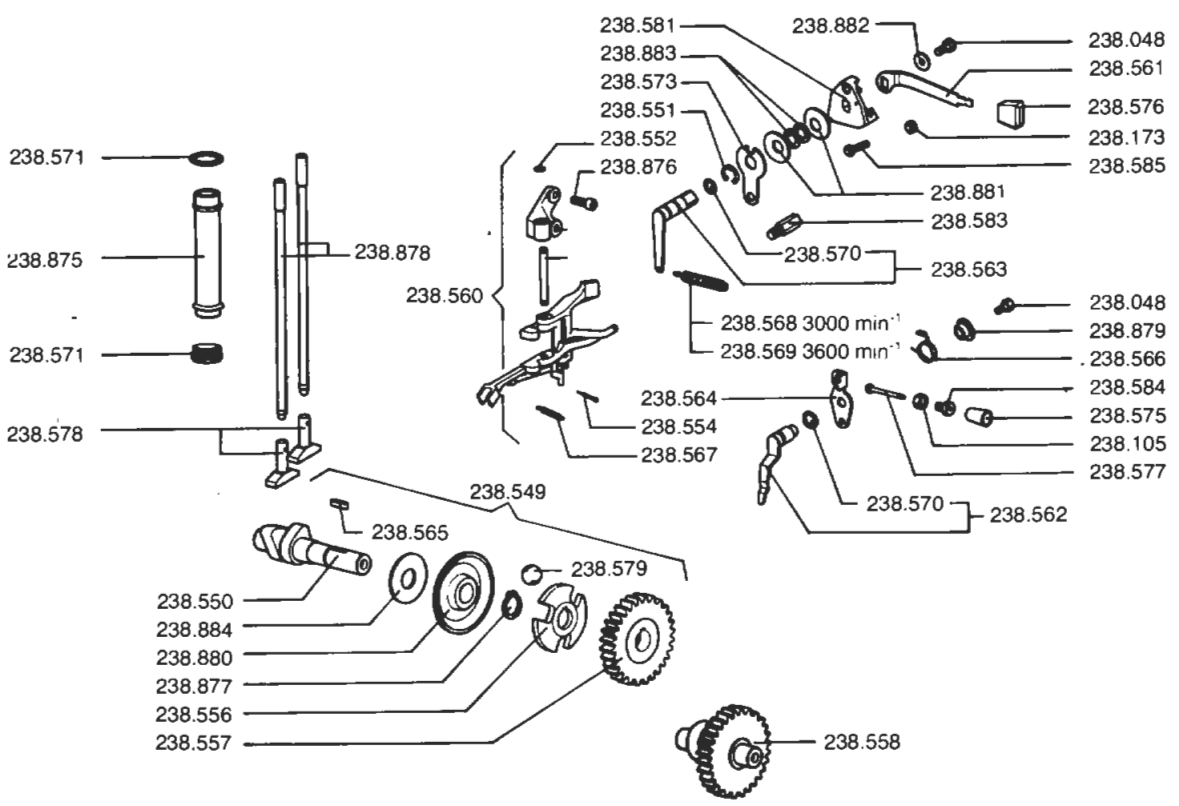
[www.agmoto.hr](http://www.agmoto.hr)  
tel 051-584-123

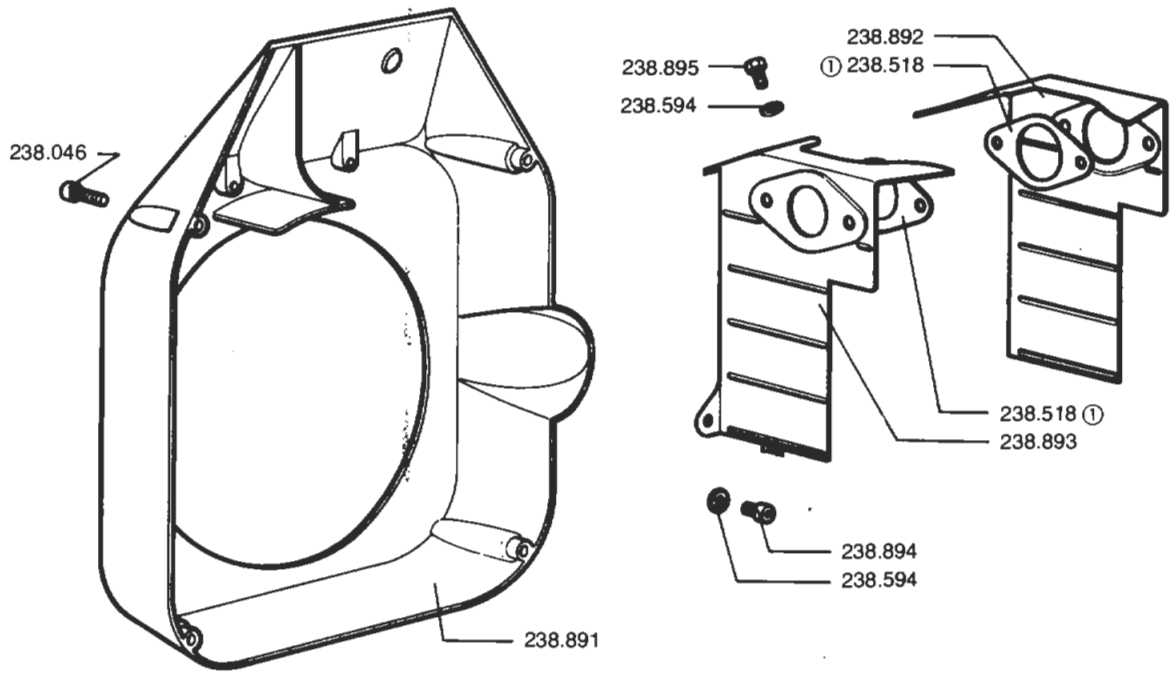


② 238.455  
Garnitura tesnilnih obročev

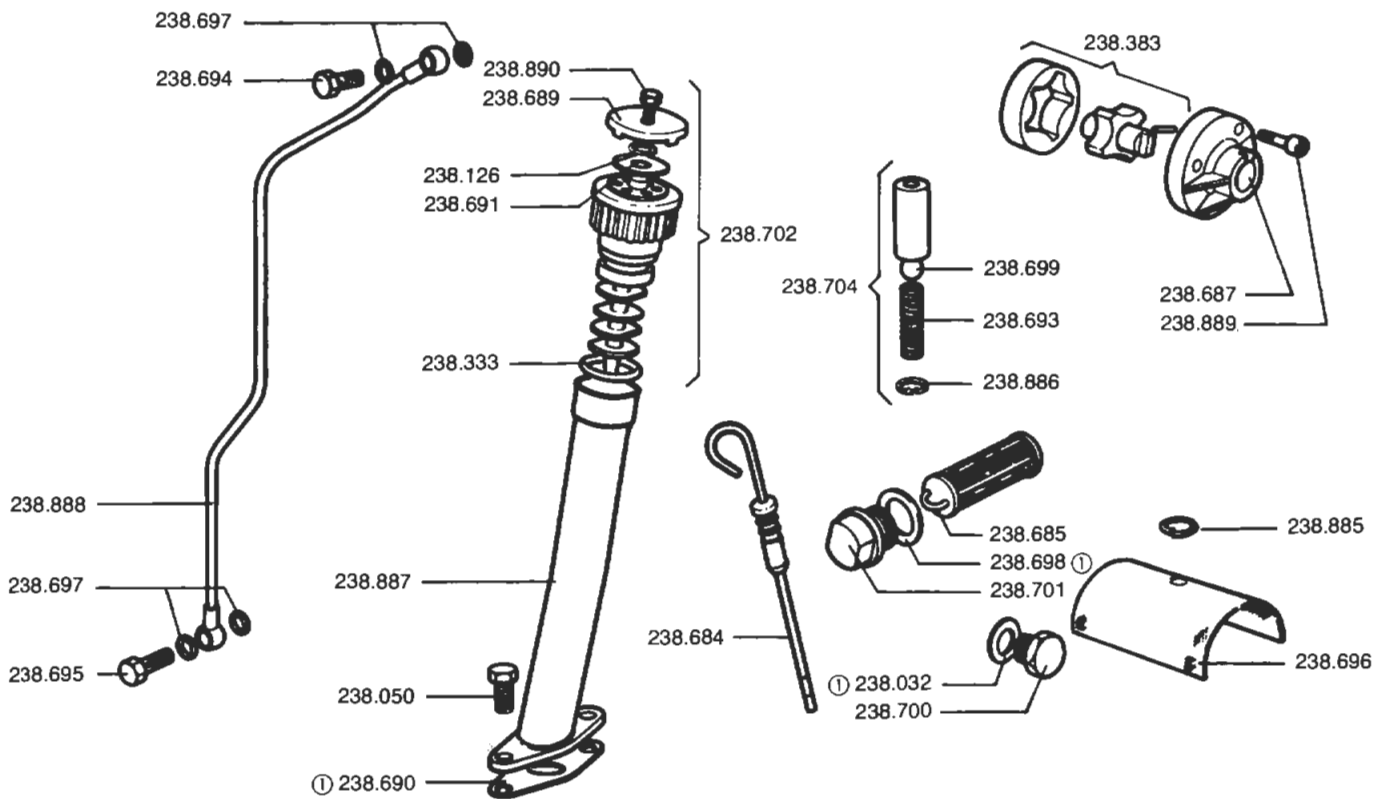


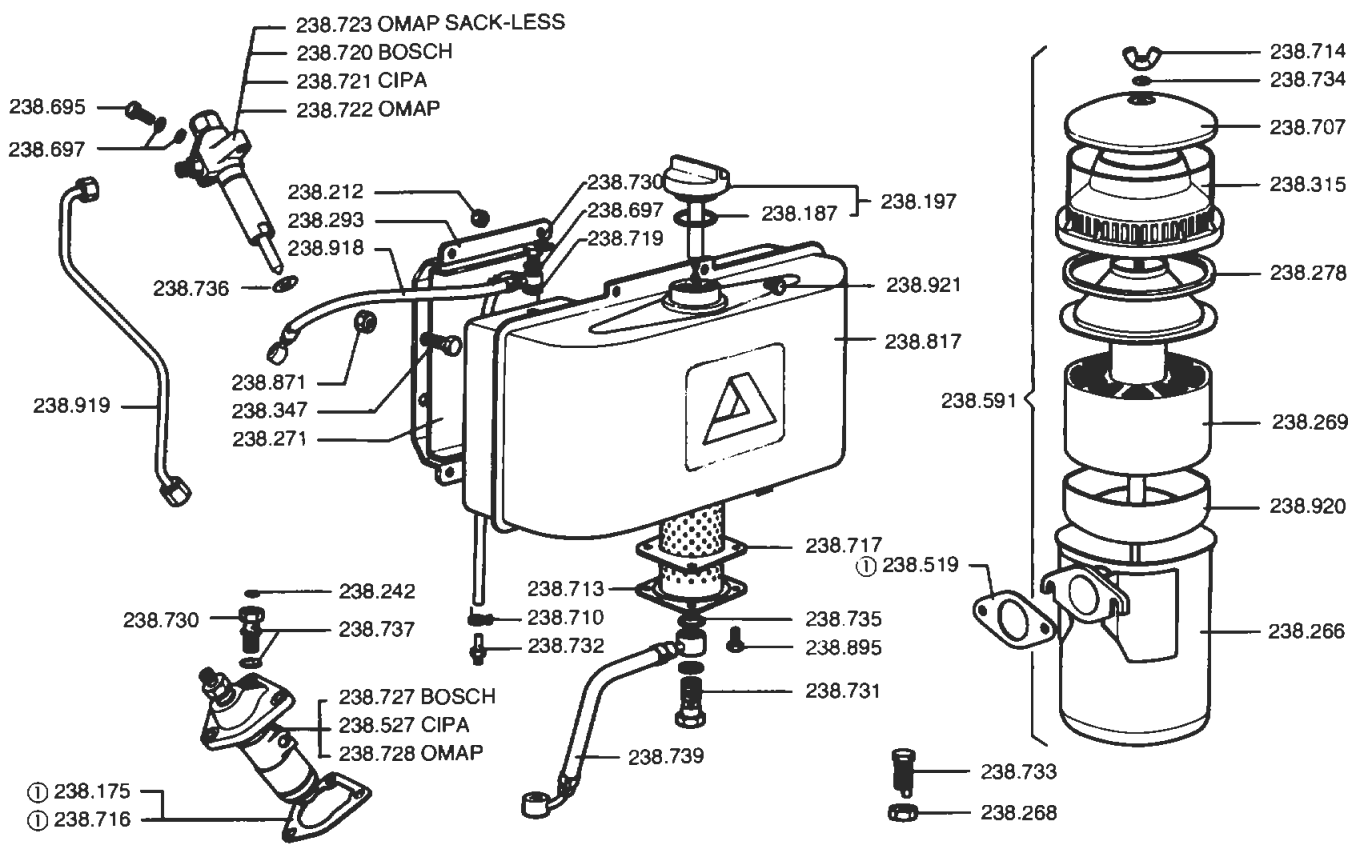
[www.agmoto.hr](http://www.agmoto.hr)  
tel 051-584-123



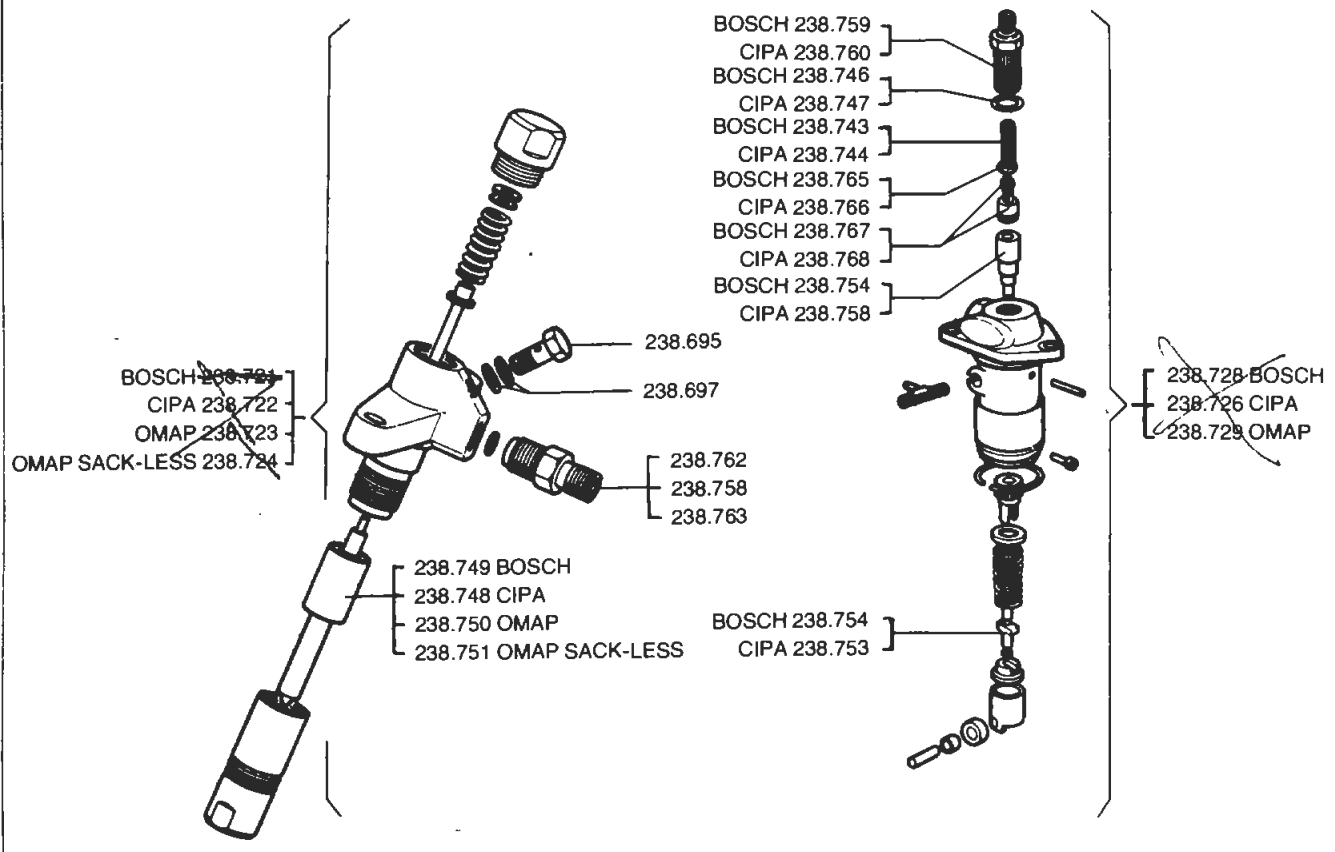


[www.agmoto.hr](http://www.agmoto.hr)  
tel 051-584-123

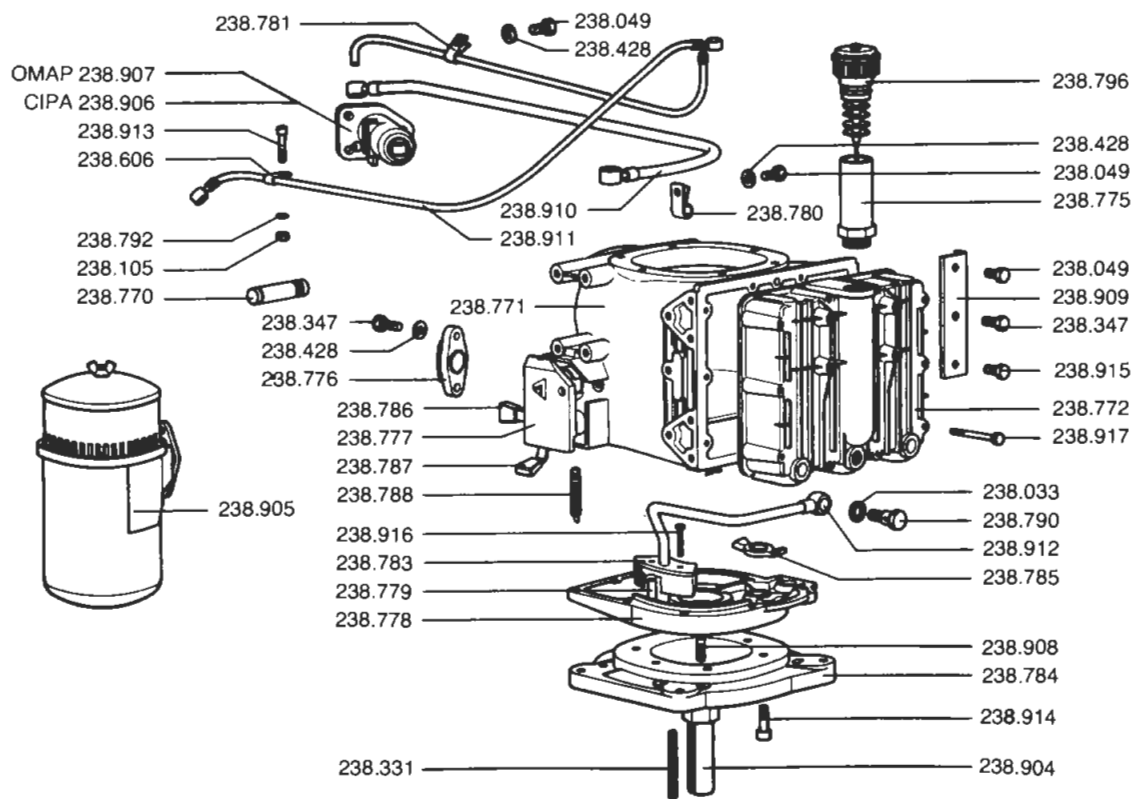




[www.agmoto.hr](http://www.agmoto.hr)  
 tel 051-584-123

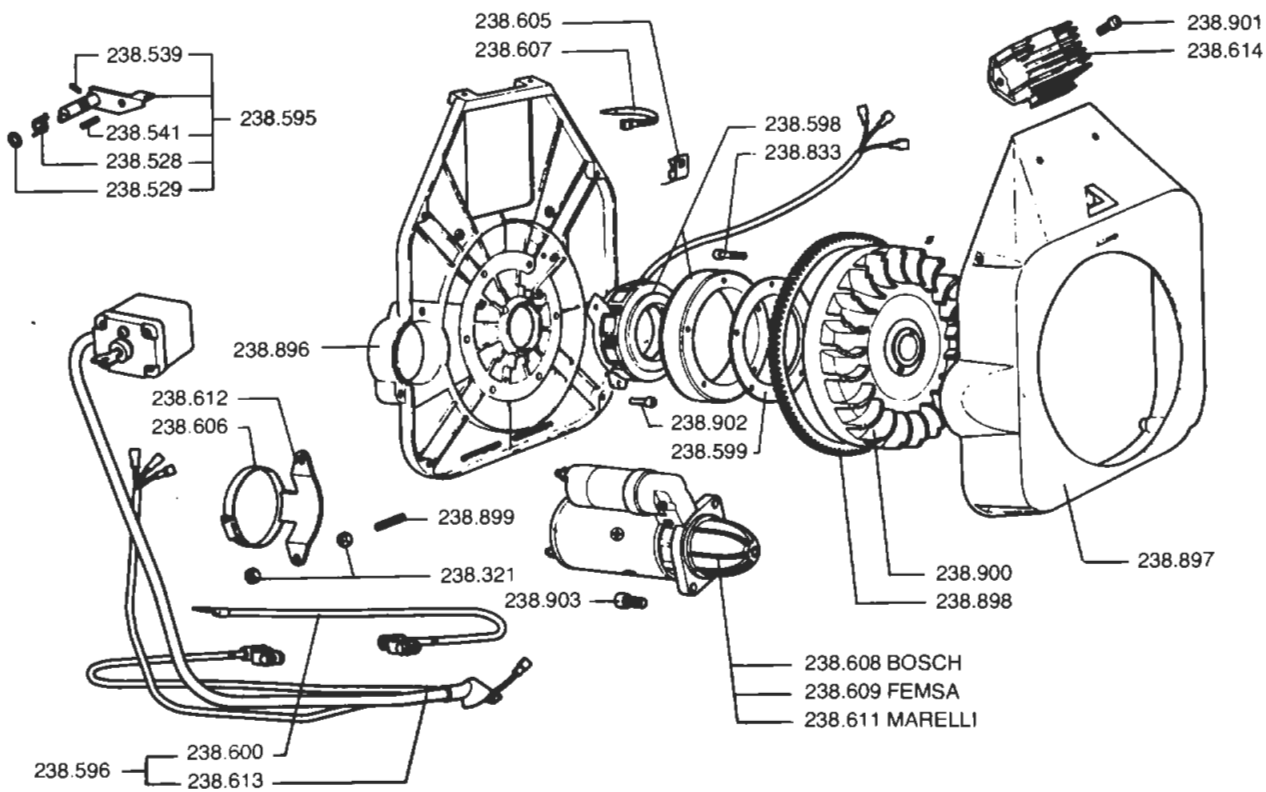


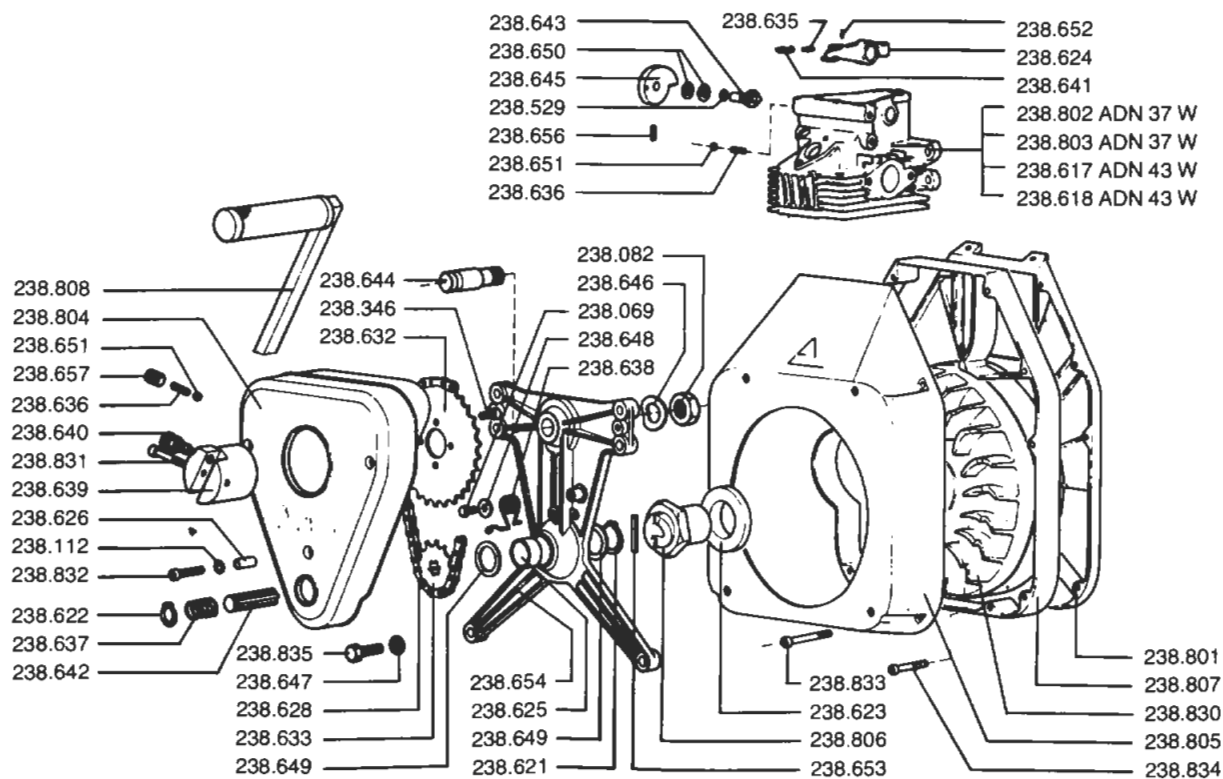




[www.agmoto.hr](http://www.agmoto.hr)  
 tel 051-584-123

J





**[www.agmoto.hr](http://www.agmoto.hr)**  
**tel 051-584-123**

# INDEX

Šifra	Skupina	Opomba	Šifra	Skupina	Opomba	Šifra	Skupina	Opomba	Šifra	Skupina	Opomba	Šifra	Skupina	Opomba
238.032	F	①	238.550	D		238.687	F		238.806	K		238.893	E	
238.033	I		238.551	D		238.689	F		238.807	K		238.894	E	
238.046	E		238.552	D		238.690	F	①	238.808	K		238.895	E,G	
238.048	D		238.554	D		238.691	F		238.809	K		238.896	J	
238.049	I		238.556	D		238.693	F		238.810	B		238.897	J	
238.050	F		238.557	D		238.694	F		238.811	B		238.898	J	
238.069	K		238.558	D		238.695	F,G,H		238.812	B		238.899	J	
238.077	B	②	238.560	D		238.697	F,G		238.813	B		238.900	J	
238.082	K		238.561	D		238.698	F,H	①	238.814	B		238.901	J	
238.083	B		238.562	D		238.699	F		238.816	A,B		238.902	J	
238.088	B		238.563	D		238.700	F		238.817	G		238.903	J	
238.089	A		238.564	D		238.701	F		238.819	A		238.904	I	
238.094	A,B		238.565	D		238.702	F		238.820	A,B		238.905	I	
238.105	D,I		238.566	D		238.704	F		238.821	B		238.906	I	
238.112	K		238.567	D		238.707	G		238.822	B		238.907	I	
238.126	F		238.568	D		238.710	G		238.823	B		238.908	I	
238.173	D		238.569	D		238.713	G		238.824	B		238.909	I	
238.175	G	①	238.570	D		238.714	G		238.825	B		238.910	I	
238.187	G		238.571	D		238.716	G	①	238.826	C		238.911	I	
238.194	G		238.572	D		238.717	G		238.829	C		238.912	I	
238.203	C		238.573	D		238.719	G		238.830	K		238.913	I	
238.242	G		238.575	D		238.720	G		238.831	K		238.914	I	
238.321	J,I		238.576	D		238.721	G,H		238.832	K		238.915	I	
238.333	F		238.577	D		238.722	G,H		238.833	J,K		238.916	I	
238.346	K		238.578	D		238.723	G,H		238.834	K		238.917	I	
238.347	G,I		238.579	D		238.724	H		238.835	K		238.918	G	
238.348	A		238.580	D		238.725	G		238.836	B		238.919	G	
238.418	A		238.581	D		238.726	H		238.837	B	②	238.920	G	
238.419	A		238.583	D		238.727	G		238.838	B		238.921	G	
238.420	A		238.584	D		238.728	G,H		238.839	B		238.922	A	
238.422	A	①	238.585	D		238.729	H		238.840	B		238.923	A	
238.423	A	①	238.594	E		238.730	G		238.841	B		238.924	A	
238.424	A	①	238.595	J		238.731	G		238.842	B		238.925	A	
238.425	A	①	238.596	J		238.732	G		238.843	B		238.926	A	
238.427	A		238.598	J		238.733	G		238.844	B				
238.428	A,I		238.599	J		238.734	G		238.845	B				
238.465	B		238.600	J		238.735	G		238.846	B				
238.466	B		238.605	J		238.736	G		238.847	B				
238.467	B		238.606	I,J		238.737	G		238.848	B				
238.468	B		238.607	J		238.739	G		238.849	B				
238.477	B		238.608	J		238.743	H		238.850	B				
238.478	B		238.609	J		238.744	H		238.851	B				
238.482	B		238.611	J		238.746	H		238.852	B				
238.483	C		238.612	J		238.747	H		238.853	B				
238.486	C		238.613	J		238.748	H		238.854	B				
238.488	C		238.614	J		238.749	H		238.855	B				
238.490	C		238.617	K		238.750	H		238.856	B				
238.494	C		238.618	K		238.751	H		238.857	B				
238.495	A,C		238.621	K		238.753	H		238.858	B				
238.497	C		238.622	K		238.754	H		238.859	B				
238.499	C		238.623	K		238.758	H		238.860	B				
238.500	C		238.624	K		238.759	H		238.861	B				
238.501	C		238.625	K		238.760	H		238.862	B				
238.506	C		238.626	K		238.762	H		238.863	B				
238.507	C		238.628	K		238.763	H		238.864	C				
238.508	C		238.632	K		238.765	H		238.865	C				
238.513	C		238.633	K		238.766	H		238.866	A,C				
238.514	C		238.635	K		238.767	H		238.867	C				
238.515	C		238.636	K		238.768	H		238.868	C				
238.516	C		238.637	K		238.770	I		238.869	C				
238.518	C,E	①	238.638	K		238.771	I		238.870	C				
238.519	C,G	①	238.639	K		238.772	I		238.871	A,C,G				
238.523	C		238.640	K		238.775	I		238.872	C				
238.524	C		238.641	K		238.776	I		238.873	C				
238.527	C		238.642	K		238.777	I		238.874	C				
238.528	C,J		238.643	K		238.778	I		238.875	D				
238.529	C,J,K		238.644	K		238.779	I		238.876	D				
238.530	C		238.645	K		238.780	I		238.877	D				
238.531	C		238.646	K		238.781	I		238.878	D				
238.532	C		238.647	K		238.783	I		238.879	D				
238.534	C		238.648	K		238.784	I		238.880	D				
238.535	C		238.649	K		238.785	I		238.881	D				
238.536	C		238.650	K		238.786	I		238.882	D				
238.537	C		238.651	K		238.787	I		238.883	D				
238.538	C		238.652	K		238.788	I		238.884	D				
238.539	C,J		238.653	K		238.790	I		238.885	F				
238.540	C		238.654	K		238.792	I		238.886	F				
238.541	C,J		238.656	K		238.796	I		238.887	F				
238.542	C		238.657	K		238.801	K		238.888	F				
238.543	C		238.673	B		238.802	K		238.889	F				
238.544	C		238.683	F		238.803	K		238.890	F				
238.548	C		238.684	F		238.804	K		238.891	E				
238.549	D		238.685	F		238.805	K		238.892	E				

www.agmotor.hr  
tel: 01 584 23 23

① 238.818  
Garnitura tesnil