

TOMOS

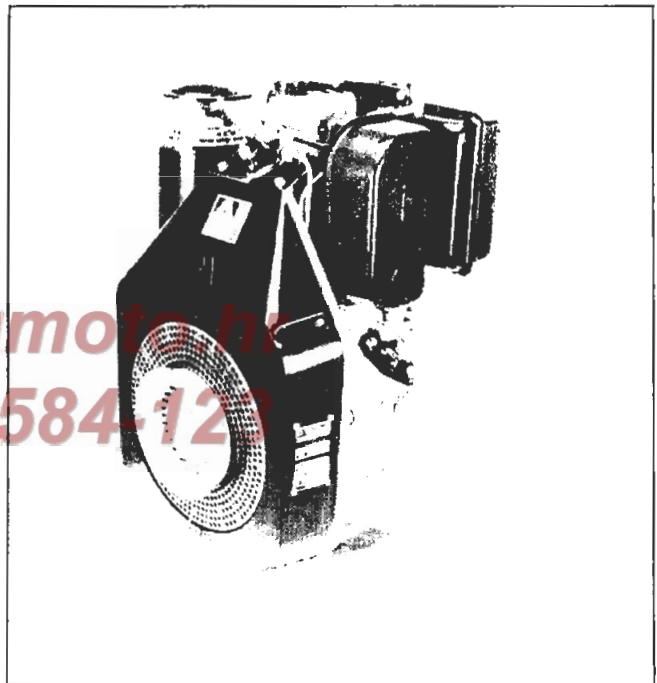
SERVISNA
SLUŽBA

IZDAJA 1

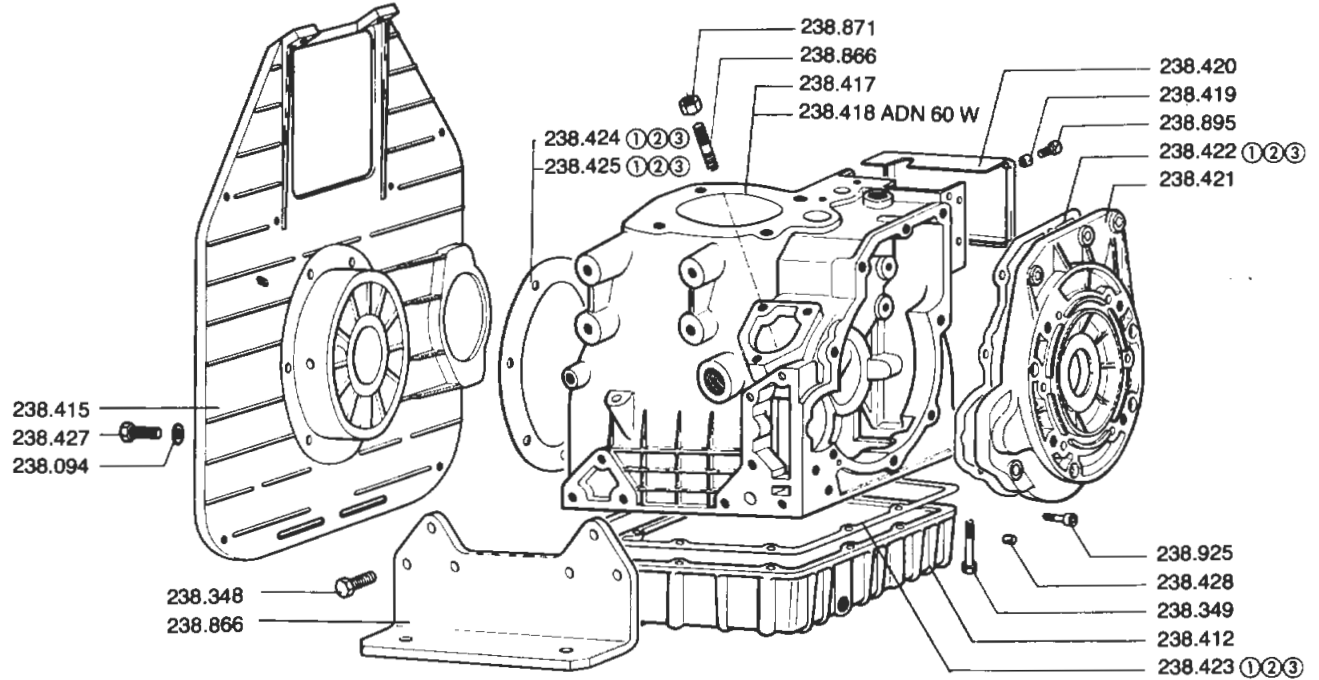
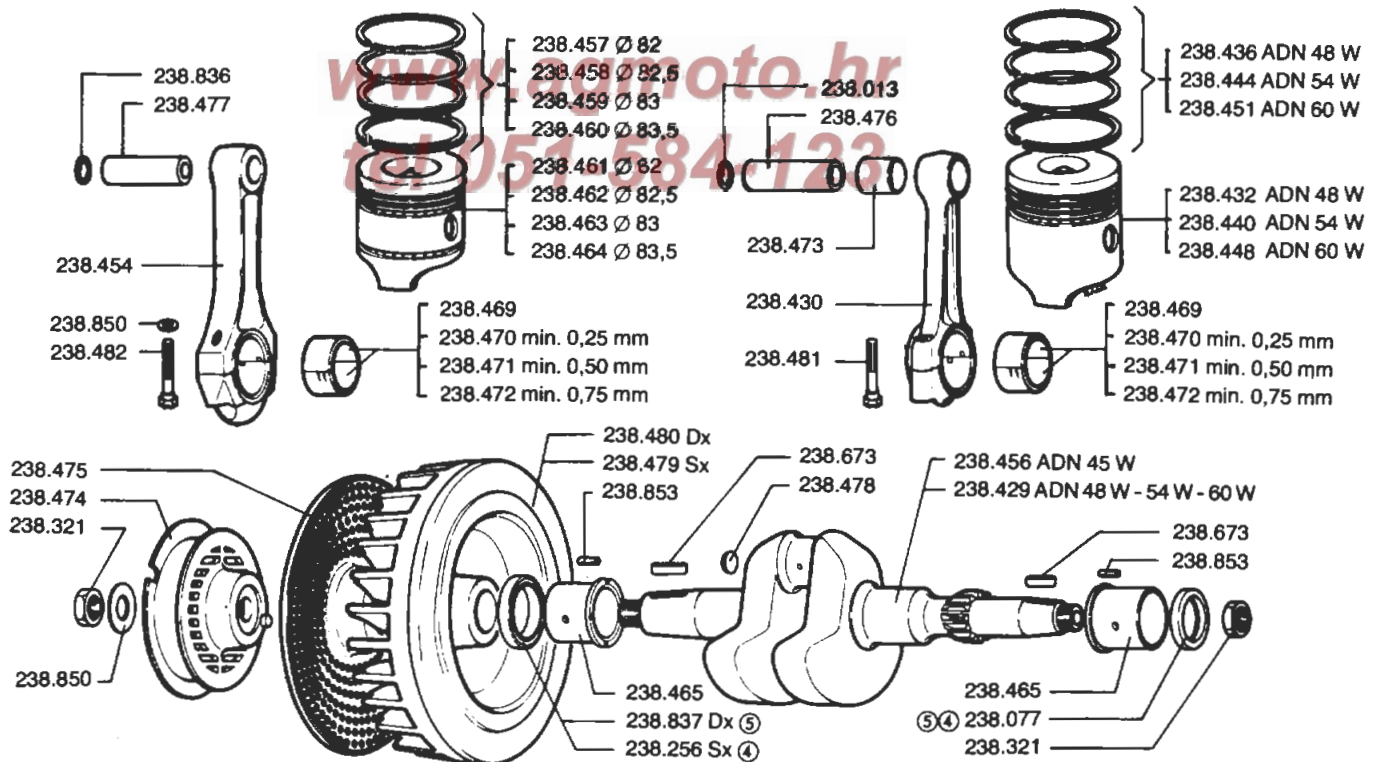
006

ADN 45 W
ADN 48 W
ADN 54 W
ADN 60 W

www.agmof.hr
tel 051-584-123



1987
REZERVNI DELI

A**ADN 45 W****ADN 48 W - 54 W - 60 W****B**

④ 238.431
Garnitura tesnilnih obročev sx.

ADN 48 W
Serija batov

- 238.432 Ø 85
- 238.433 Ø 85,5
- 238.434 Ø 86
- 238.435 Ø 86,5

Serija batnih obročkov

- 238.436 Ø 85
- 238.437 Ø 85,5
- 238.438 Ø 86
- 238.439 Ø 86,5

ADN 54 W
Serija batov

- 238.440 Ø 90
- 238.441 Ø 90,5
- 238.442 Ø 91
- 238.443 Ø 91,5

Serija batnih obročkov

- 238.444 Ø 90
- 238.445 Ø 90,5
- 238.446 Ø 91
- 238.447 Ø 91,5

⑤ 238.455
Garnitura tesnilnih obročev dx.

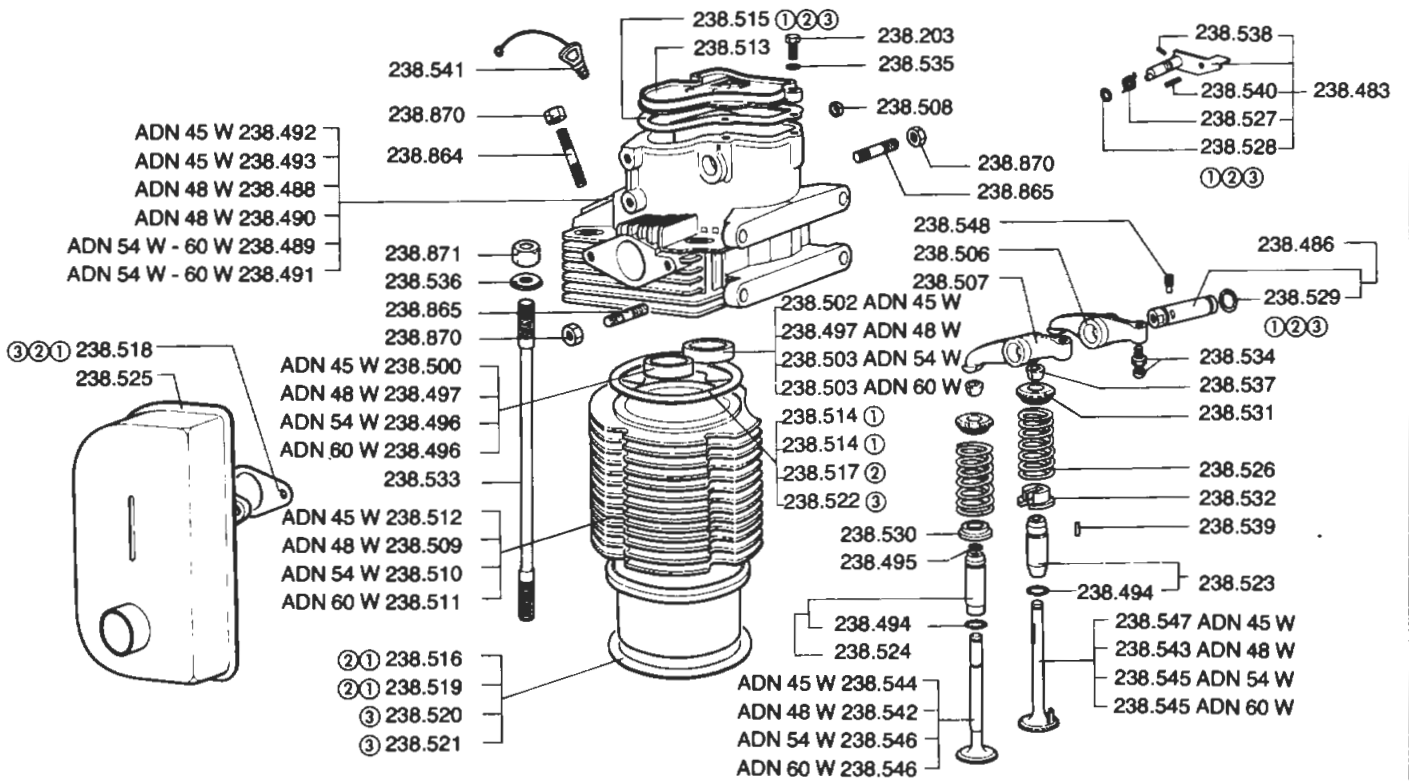
ADN 60 W
Serija batov

- 238.448 Ø 95
- 238.449 Ø 95,5
- 238.450 Ø 96

Serija batnih obročkov

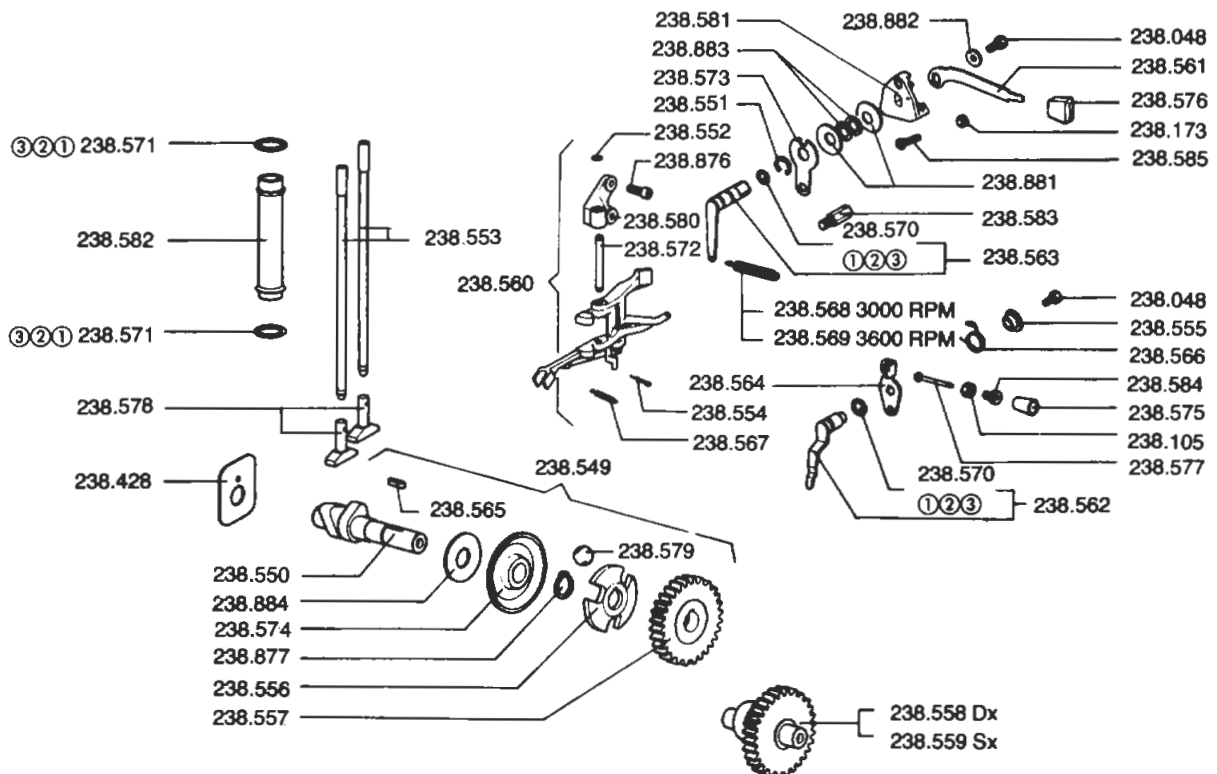
- 238.451 Ø 95
- 238.452 Ø 95,5
- 238.453 Ø 96

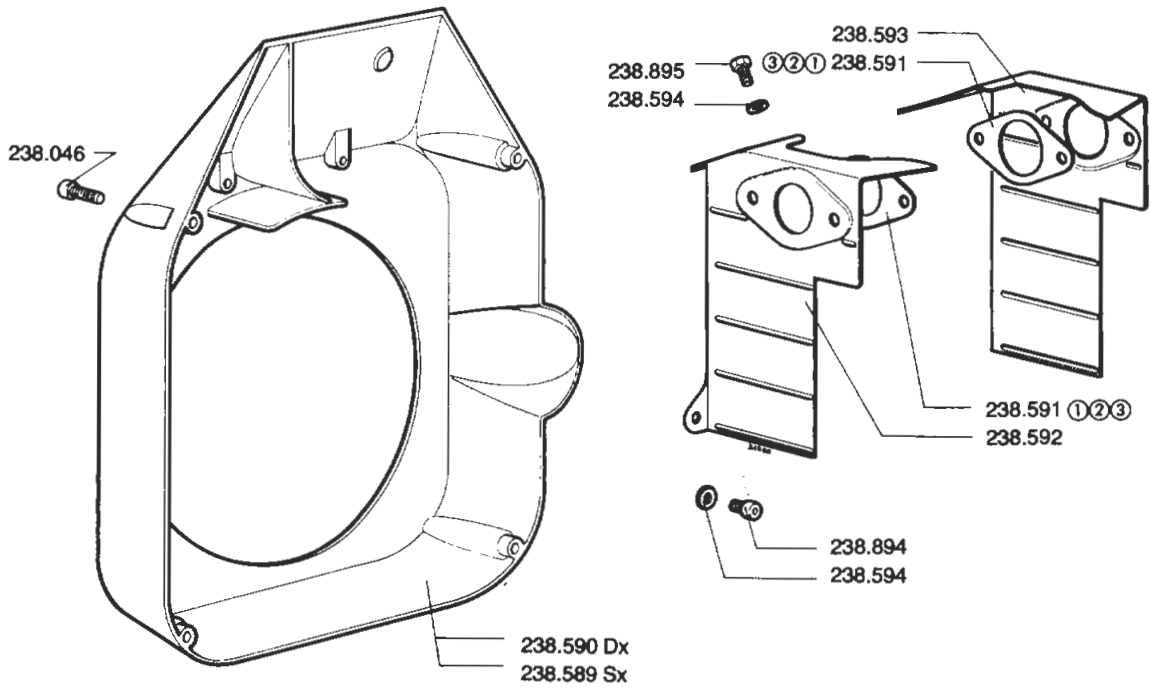
C



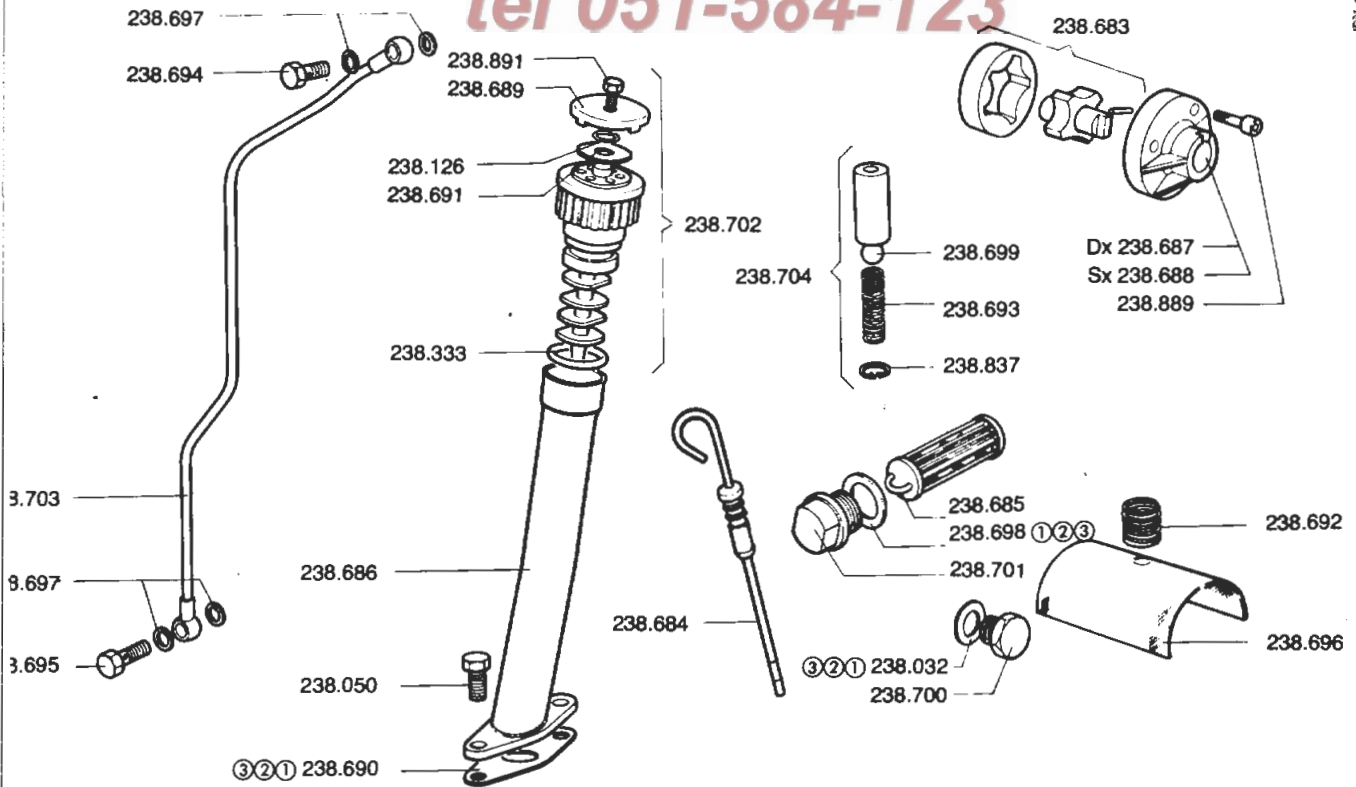
www.agmoto.hr
tel 051-584-123

D

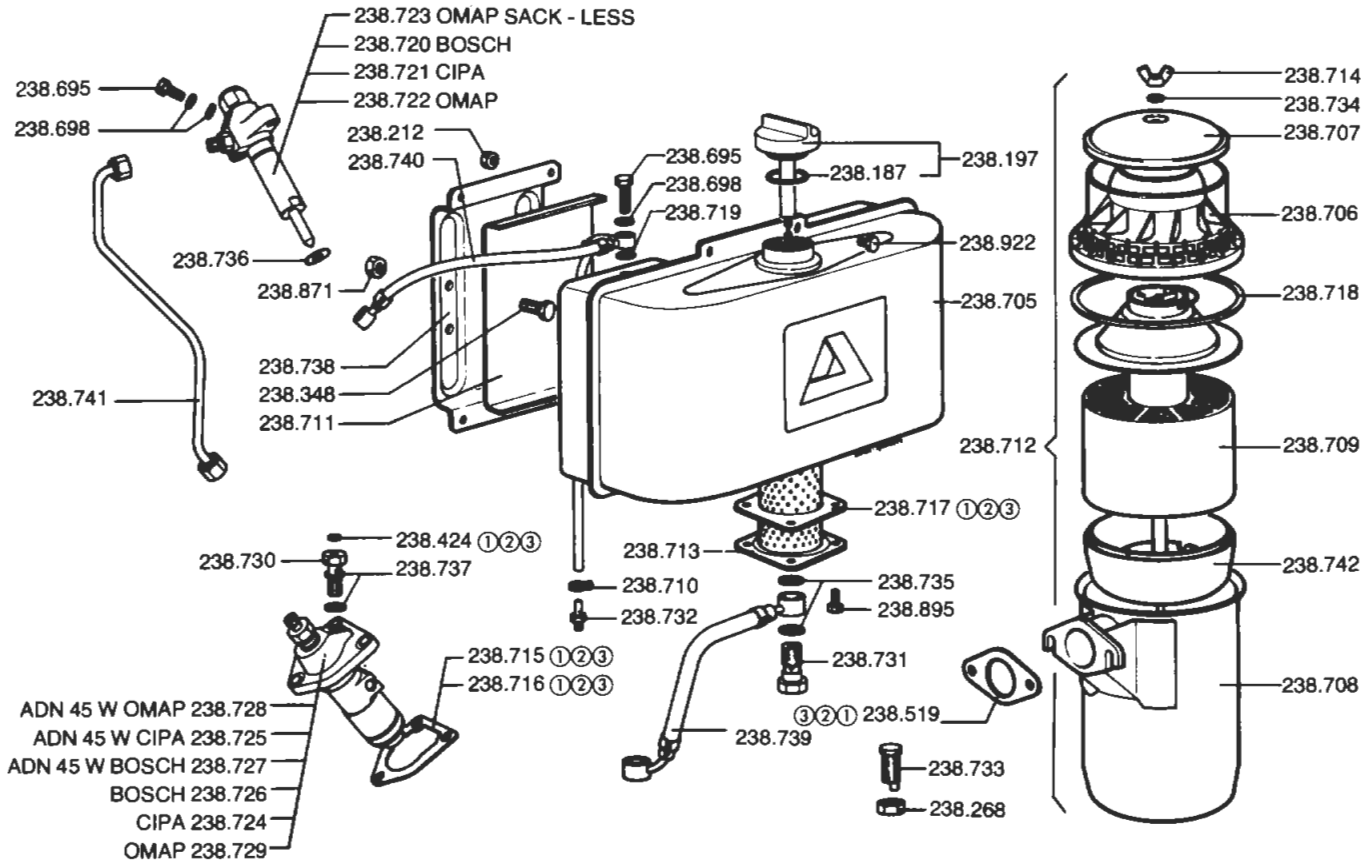




www.agmoto.hr
tel 051-584-123

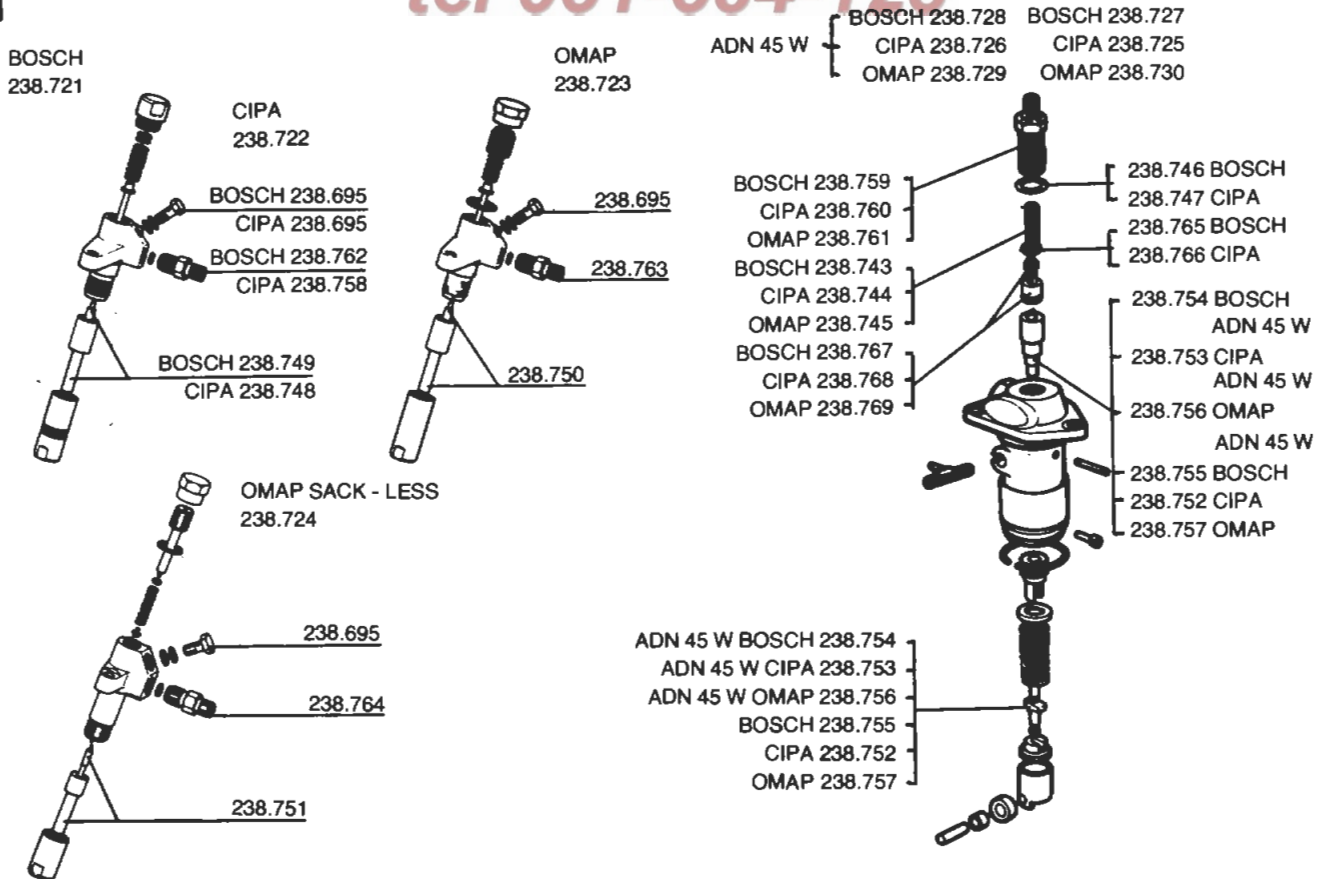


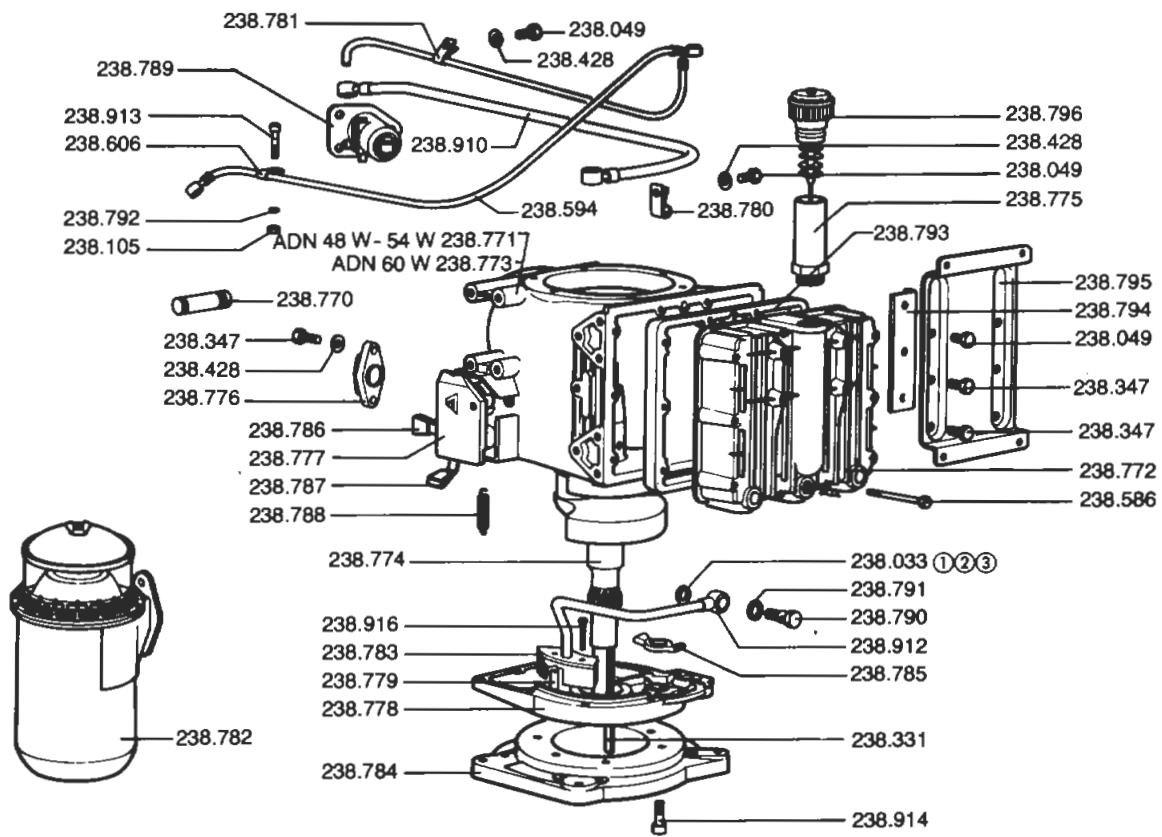
G



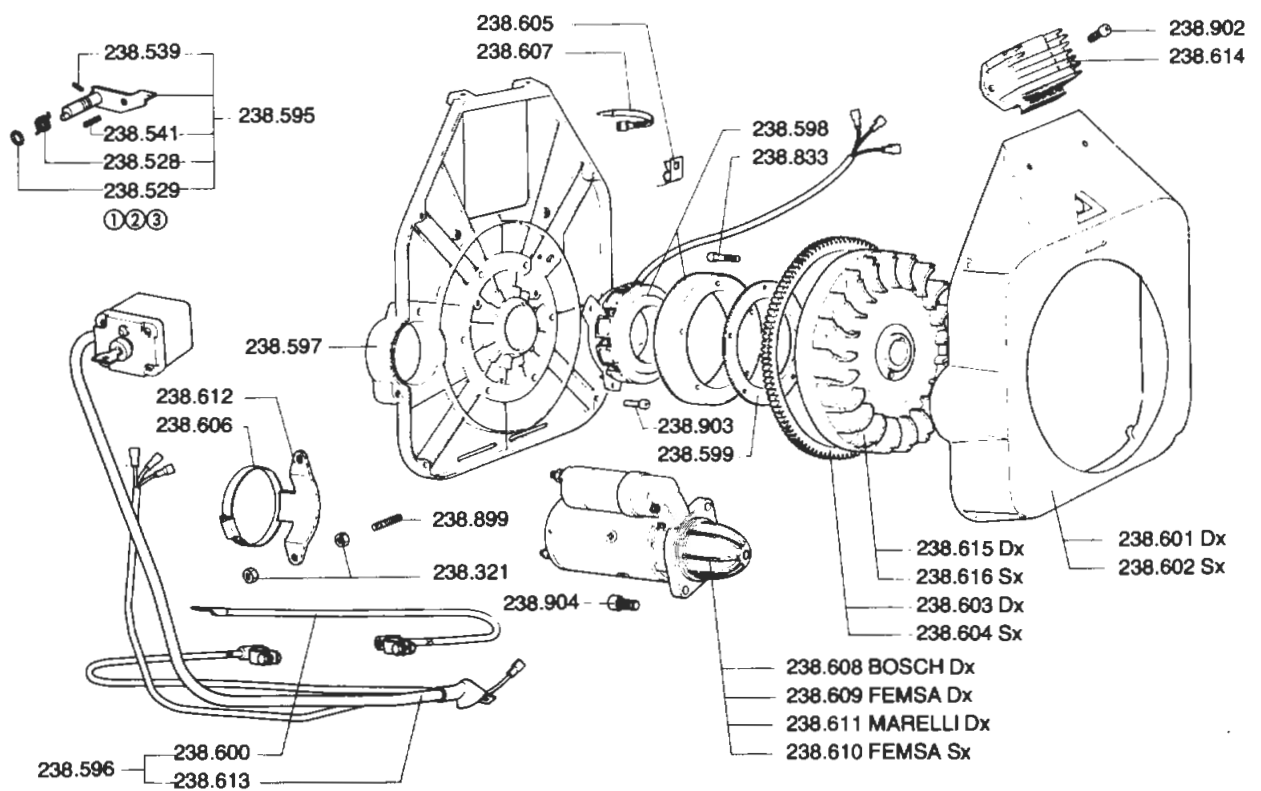
www.agmoto.hr
 tel 051-584-123

H

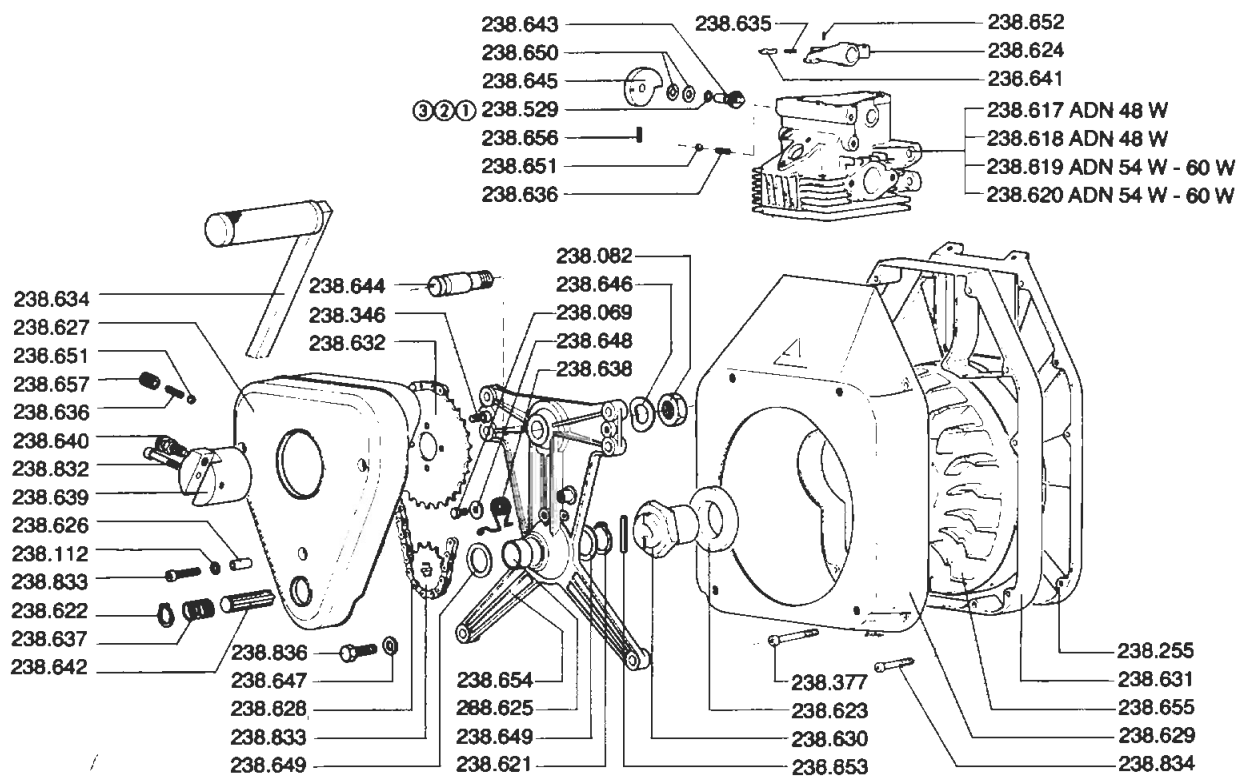




www.agmoto.hr
tel 051-584-123

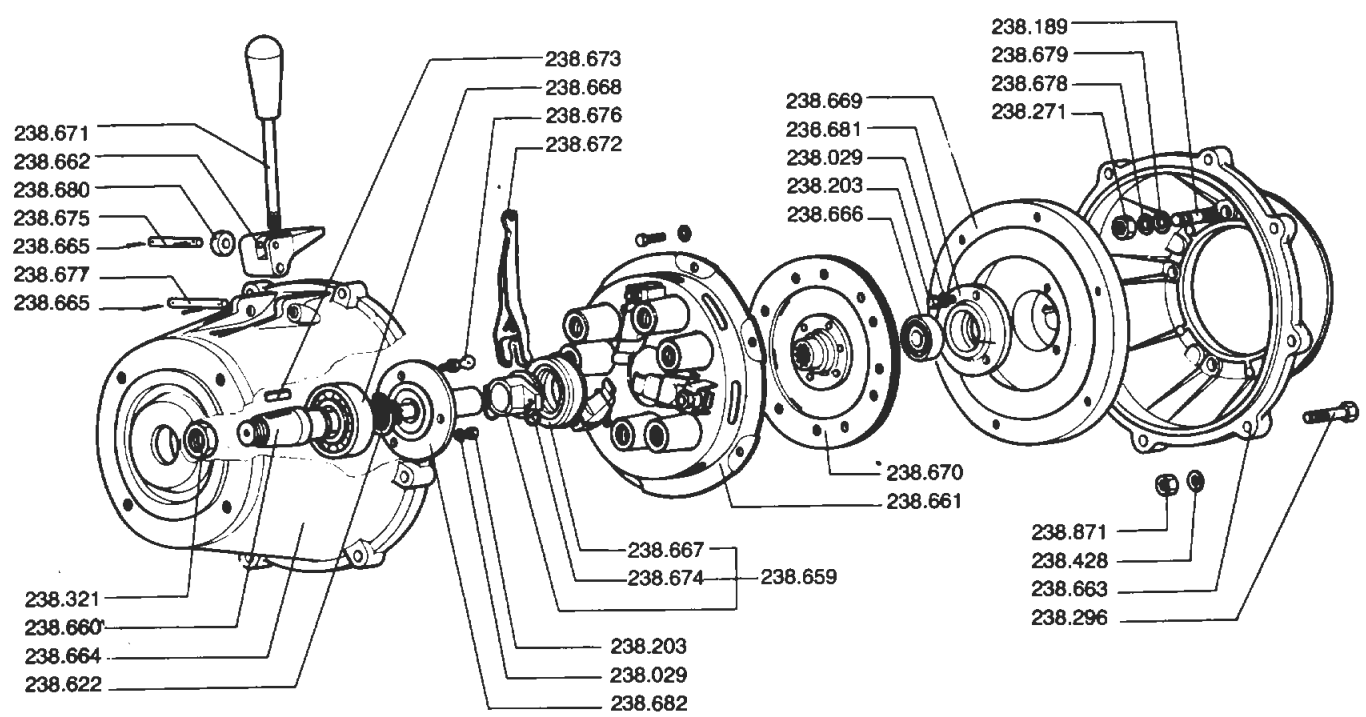


K



www.agmoto.hr
 tel 051-584-123

L



INDEX

Šifra	Skupina	Opomba	Šifra	Skupina	Opomba	Šifra	Skupina	Opomba	Šifra	Skupina	Opomba	Šifra	Skupina	Opomba
238.029	L		238.478	B		238.574	D		238.673	B,L		238.769	H	
238.032	F	①②③	238.479	B		238.575	D		238.674	L		238.770	I	
238.033	I	①②③	238.480	B		238.576	D		238.675	L		238.771	I	
238.046	E		238.481	B		238.577	D		238.676	L		238.772	I	
238.048	D		238.482	B		238.578	D		238.677	L		238.773	I	
238.049	I		238.483	C		238.579	D		238.678	L		238.774	I	
238.050	F		238.484	C		238.580	D		238.679	L		238.775	I	
238.069	K		238.485	C,I		238.581	D		238.680	L		238.776	I	
238.077	B	④⑤	238.486	C		238.582	D		238.681	L		238.777	I	
238.082	K		238.487	C		238.583	D		238.682	L		238.778	I	
238.094	A		238.488	C		238.584	D		238.683	F		238.779	I	
238.105	D,I		238.489	C		238.585	D		238.684	F		238.780	I	
238.112	K		238.490	C		238.586	I		238.685	F		238.781	I	
238.126	F		238.491	C		238.589	E		238.686	F		238.782	I	
238.173	D		238.492	C		238.590	E		238.687	F		238.783	I	
238.187	G		238.493	C		238.591	E	①②③	238.688	F		238.784	I	
238.189	L		238.494	C		238.592	E		238.689	F		238.785	I	
238.197	G		238.495	C		238.593	E		238.690	F	①②③	238.786	I	
238.203	C,L		238.496	C		238.594	I		238.691	F		238.787	I	
238.242	G		238.497	C		238.595	J		238.692	F		238.788	I	
238.255	K		238.498	C		238.596	J		238.693	F		238.789	I	
238.256	B	④	238.499	C		238.597	J		238.694	F		238.790	I	
238.296	L		238.500	C		238.598	J		238.695	F,G,H		238.791	I	
238.321	J		238.501	C		238.600	J		238.696	F		238.792	I	
238.331	I		238.502	C		238.601	J		238.697	F		238.793	I	
238.333	F		238.503	C		238.602	J		238.698	F,G,H	①②③	238.794	I	
238.346	K		238.504	C		238.603	J		238.699	F		238.795	I	
238.347	I		238.505	C		238.604	J		238.700	F		238.796	I	
238.348	A,G		238.506	C		238.605	J		238.701	F		238.832	K	
238.377	K		238.507	C		238.606	I,J		238.702	F		238.833	J,K	
238.412	A		238.508	C		238.607	J		238.703	F		238.834	K	
238.413	A,E,F,G		238.509	C		238.608	J		238.704	F		238.836	B,K	
238.414	A		238.510	C		238.609	J		238.705	G		238.837	B,F	⑤
238.415	A,E,F,G,I		238.511	C		238.610	J		238.706	G		238.850	B	
238.416	A,E,F,G		238.512	C		238.611	J		238.707	G		238.853	B	
238.417	A,I		238.513	C		238.612	J		238.708	G		238.864	C	
238.418	A		238.514	C		238.613	J		238.709	G		238.865	C	
238.419	A		238.515	C	①②③	238.614	J		238.710	G		238.866	A	
238.420	A		238.516	C	①②	238.615	J		238.711	G		238.870	A	
238.421	A		238.517	C	①②	238.616	J		238.712	G		238.871	A,C,G,L	
238.422	A	①②③	238.518	C	①②③	238.617	K		238.713	G		238.876	D	
238.423	A	①②③	238.519	C,G	①②③	238.618	K		238.714	G		238.877	D	
238.424	A	①②③	238.520	C	③	238.619	K		238.715	G	①②③	238.881	D	
238.425	A	①②③	238.521	C	④	238.620	K		238.716	G	①②③	238.882	D	
238.426	A	①②③	238.522	C	⑤	238.621	K		238.717	G	①②③	238.883	D	
238.427	A		238.523	C		238.622	K,L		238.718	G		238.884	D	
238.428	A,I,L		238.524	C		238.623	K		238.719	G		238.889	F	
238.429	B		238.525	C		238.624	K		238.720	G		238.891	F	
238.430	B		238.526	C		238.625	K		238.721	G,H		238.894	E	
238.431	B		238.527	C		238.626	K		238.722	G,H		238.895	A,E,G	
238.432	B		238.528	C,J	①②③	238.627	K		238.723	G,H		238.899	J	
238.433	B		238.529	C,J,K	①②③	238.628	K		238.724	G,H		238.902	J	
238.434	B		238.530	C		238.629	K		238.725	G,H		238.903	J	
238.435	B		238.531	C		238.630	K		238.726	G,H		238.904	J	
238.436	B		238.532	C		238.631	K		238.727	G,H		238.910	I	
238.437	B		238.533	C		238.632	K		238.728	G,H		238.912	I	
238.438	B		238.534	C		238.633	K		238.729	G,H		238.913	I	
238.439	B		238.535	C		238.634	K		238.730	G,H		238.914	I	
238.440	B		238.536	C		238.635	K		238.731	G		238.916	I	
238.441	B		238.537	C		238.636	K		238.732	G		238.922	G	
238.442	B		238.538	C		238.637	K		238.733	G		238.925	A	
238.443	B		238.539	C,J		238.638	K		238.734	G				
238.444	B		238.540	C		238.639	K		238.735	G				
238.445	B		238.541	C,J		238.640	K		238.738	G				
238.446	B		238.542	C		238.641	K		238.737	G				
238.447	B		238.543	C		238.642	K		238.738	G				
238.448	B		238.544	C		238.643	K		238.739	G				
238.449	B		238.545	C		238.644	K		238.740	G				
238.450	B		238.546	C		238.645	K		238.741	G				
238.451	B		238.547	C		238.646	K		238.742	G				
238.452	B		238.548	C		238.647	K		238.743	H				
238.453	B		238.549	D		238.648	K		238.744	H				
238.454	B		238.550	D		238.649	K		238.745	H				
238.455	B		238.551	D		238.650	K		238.746	H				
238.456	B		238.552	D		238.651	K		238.747	H				
238.457	B		238.553	D		238.652	K		238.748	H				
238.458	B		238.554	D		238.653	K		238.749	H				
238.459	B		238.555	D		238.654	K		238.750	H				
238.460	B		238.556	D		238.655	K		238.751	H				
238.461	B		238.557	D		238.656	K		238.752	H				
238.462	B		238.558	D		238.657	K		238.753	H				
238.463	B		238.559	D		238.658	L		238.754	H				
238.464	B		238.560	D		238.659	L		238.755	H				
238.465	B		238.561	D		238.660	L		238.756	H				
238.466	B		238.562	D		238.661	L		238.757	H				
238.467	B		238.563	D		238.662	L		238.758	H				
238.468	B		238.564	D		238.663	L		238.759	H				
238.469	B		238.565	D		238.664	L		238.760	H				
238.470	B		238.566	D		238.665	L		238.761	H				
238.471	B		238.567	D		238.666	L		238.762	H				
238.472	B		238.568	D		238.667	L		238.763	H				
238.473	B		238.569	D		238.668	L		238.764	H				
238.474	B		238.570	D		238.669	L		238.765	H				
238.475	B		238.571	D		238.670	L		238.766	H				
238.476	B		238.572	D		238.671	L		238.767	H				
238.477	B		238.573	D		238.672	L		238.768	H				

① 238.413
 Garnitura tesnil ADN 45 W, 48 W
 ② 238.414
 Garnitura tesnil ADN 54 W
 ③ 238.416
 Garnitura tesnil ADN 60 W