

# TOMOS

REZERVNI  
DELI

SPARE  
PARTS

PIÈCES  
DÉTACHÉES

[www.agmoto.hr](http://www.agmoto.hr)  
tel 051-584-123

PARTI  
DI  
RICAMBIO



UMO: 08-00  
08-01, 08-02  
08-03, 08-05  
08-06, 08-07  
08-08, 08-09  
08-10, 08-12  
08-13, 08-14  
08-15, 08-16

## LEGENDA / LEGENDE

● KOMPLET  
● COMPLET  
● COMPLET  
● COMPLETO

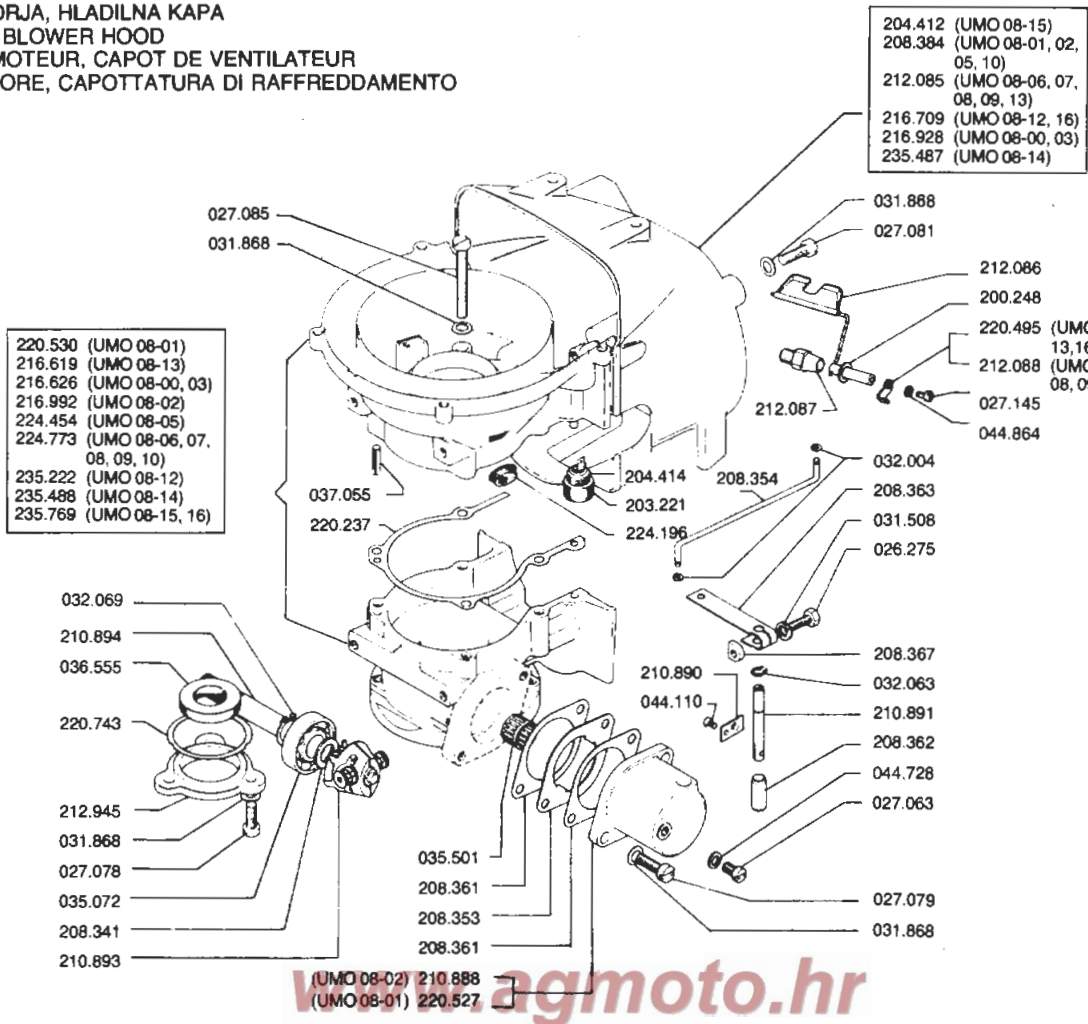
○ SPADA K KOMPLETU  
○ WITH THE COMPLET  
○ AVEC DE COMPLET  
○ CON IL COMPLETO

GROUP TOMOS



OHIŠJE MOTORJA, HLADILNA KAPA  
 CRANKCASE, BLOWER HOOD  
 CARTER DE MOTEUR, CAPOT DE VENTILATEUR  
 CARTER MOTORE, CAPOTTATURA DI RAFFREDDAMENTO

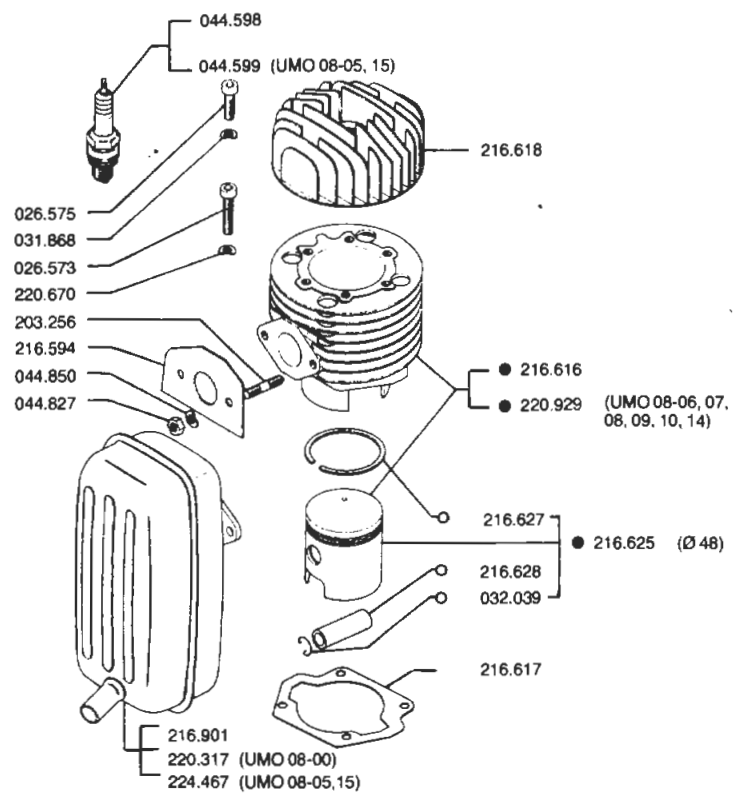
A



agmoto.hr  
 tel 051-584-123

VALJ, GLAVA VALJA, BAT, SVEČKA  
 CYLINDER, CYLINDER HEAD, PISTON, SPARK PLUG  
 CYLINDRE, CULASSE, PISTON, BOUGIE  
 CILINDRO, TESTATA, PISTONE, CANDELA

B



A  $88 \pm 0,2$   
B  $86 \pm 0,2$   
C  $90 \pm 0,2$

FIG. A

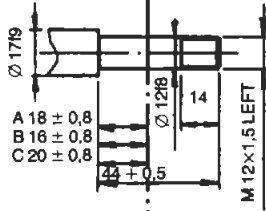


FIG. B

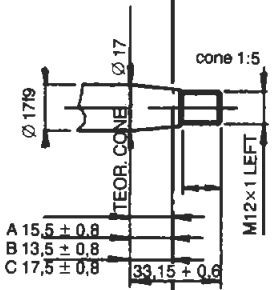


FIG. C

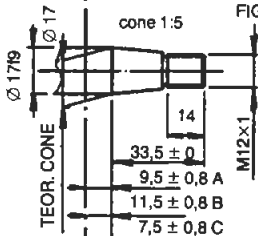


FIG. D

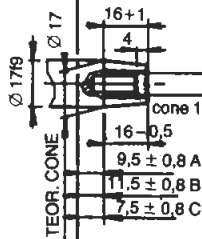
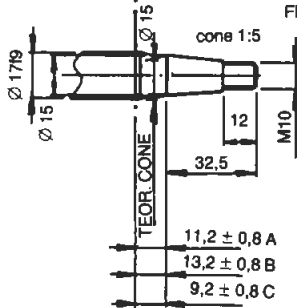
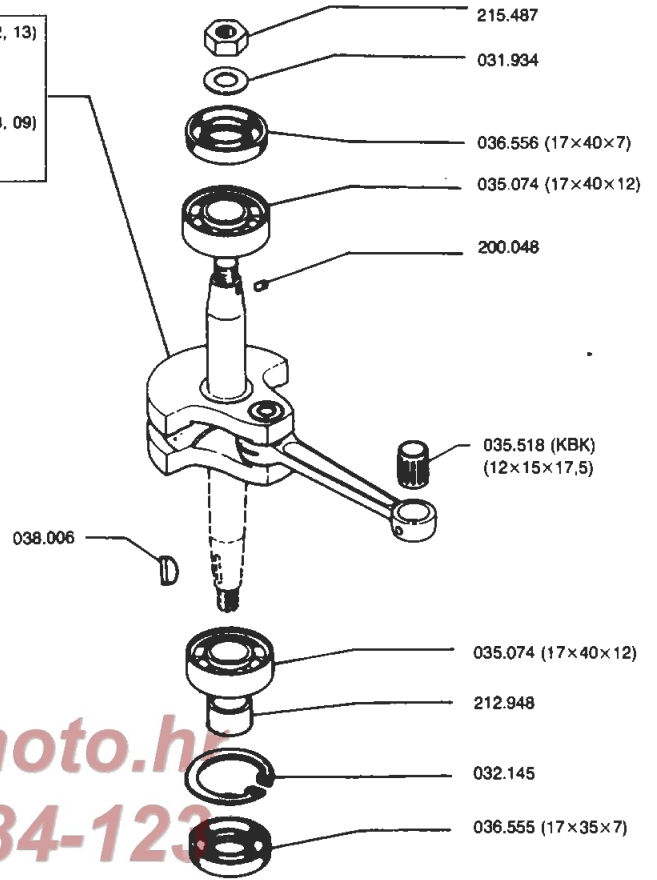


FIG. E

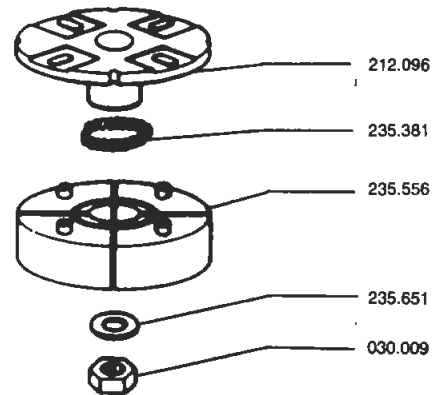


- 216.615 (UMO 08-00, 03, 12, 13)
- 220.402 (UMO 08-02)
- 220.535 (UMO 08-01)
- 224.456 (UMO 08-05)
- 224.697 (UMO 08-06, 07, 08, 09)
- 224.775 (UMO 08-10, 14)
- 235.763 (UMO 08-15, 16)

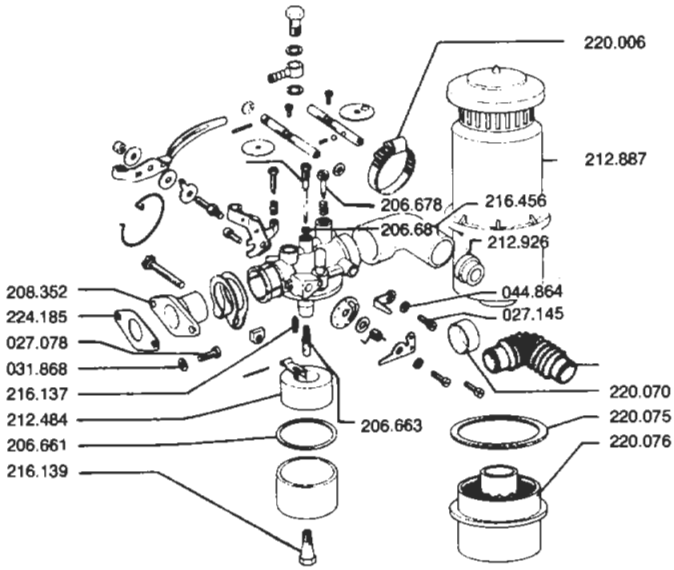


[www.agmoto.hr](http://www.agmoto.hr)  
tel 051-584-123

FIG.	A	B	C	D	E
MOTORNA GRED	224.775	224.456	216.615	220.402	235.763
CRANKSHAFT		224.697	220.535		
VILBREQUIN					
ALBERO MOTORE					

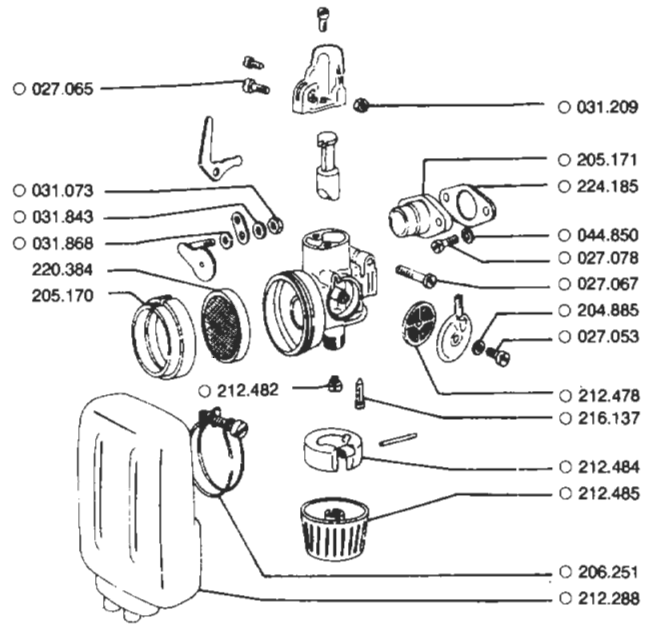


UPLINJAČ ● 212.107  
 CARBURETTOR (UMO 08-07)  
 CARBURATEU  
 CARBURATOR



UPLINJAČ ● 216.160  
 CARBURETTOR (UMO 08-10, 14)  
 CARBURATEU  
 CARBURATOR

D

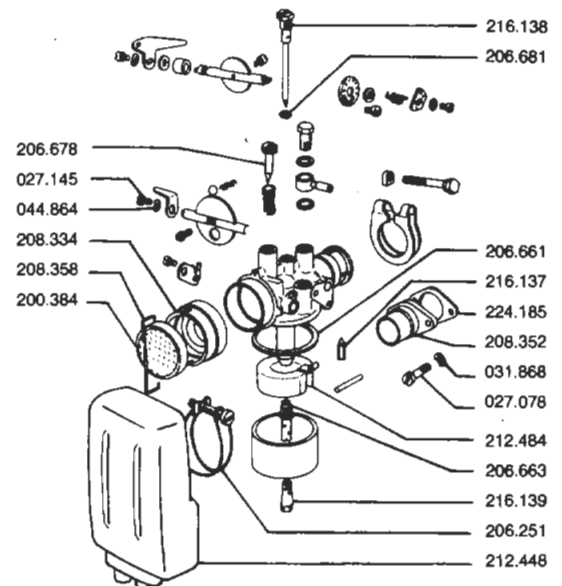
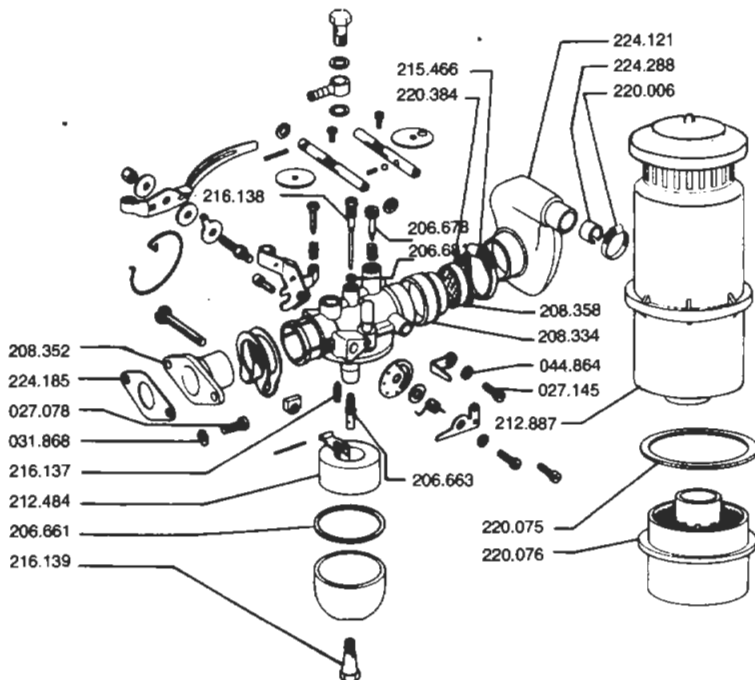


[www.agmoto.hr](http://www.agmoto.hr)  
 tel 051-584 123

UPLINJAČ ● 212.094  
 CARBURETTOR (UMO 08-08)  
 CARBURATEUR  
 CARBURATOR

UPLINJAČ ● 212.646  
 CARBURETTOR (UMO 08-01, 02)  
 CARBURATEUR  
 CARBURATOR

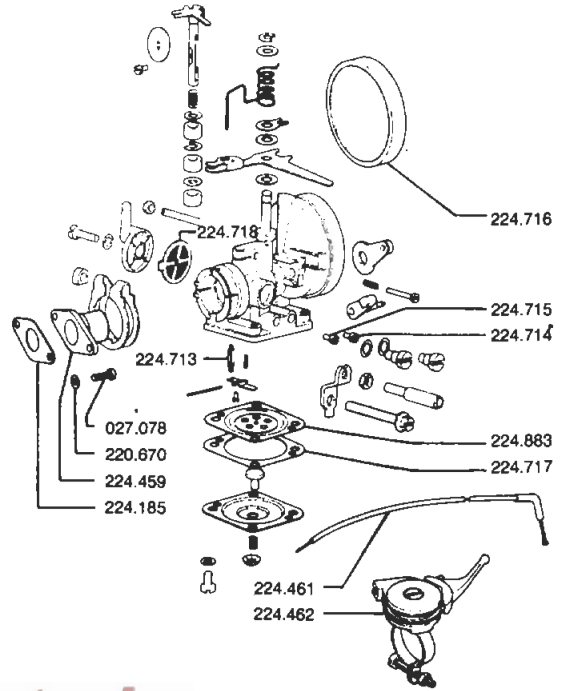
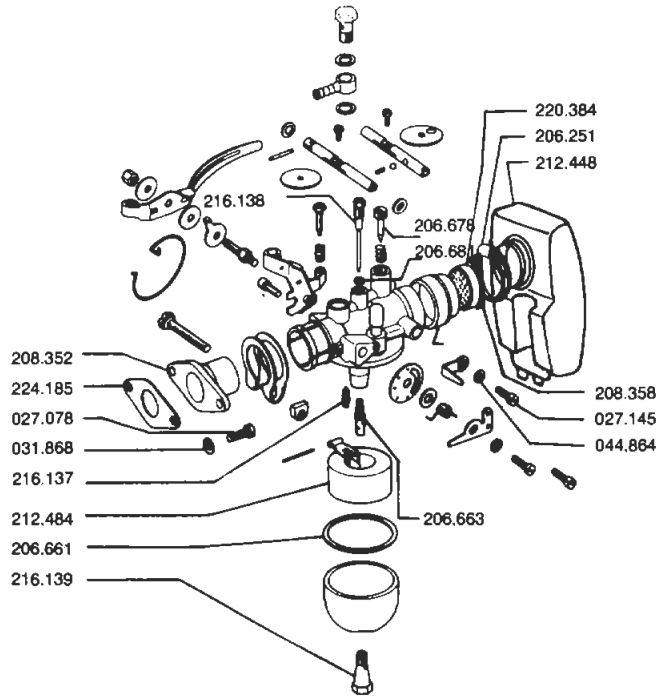
E



UPLINJAČ ● 212.094  
 CARBURETTOR (UMO 08-09)  
 CARBURATEUR  
 CARBURATOR

UPLINJAČ ● 224.490  
 CARBURETTOR (UMO 08-06, 15)  
 CARBURATEUR  
 CARBURATOR

F



[www.agmoto.hr](http://www.agmoto.hr)

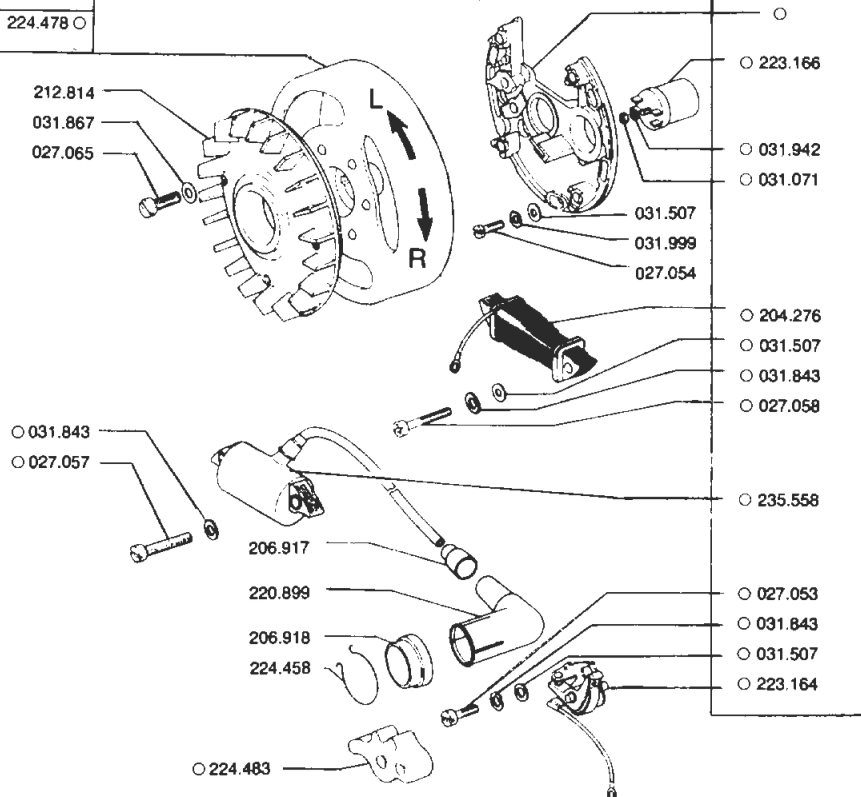
MAGNETNI VŽIGALNIK  
 GENERATOR  
 DYNAMO  
 DINAMO

- 223.160 (UMO 08-02)
- 224.468 (UMO 08-00, 03, 05, 15, 16)
- 224.469 (UMO 08-06, 07, 08, 09)
- 224.471 (UMO 08-01, 12, 13)
- 224.472 (UMO 08-10, 14)

G

(UMO 08-00, 01, 03, 05, 12, 13, 15, 16)	R	224.477 ○
(UMO 08-02, 06, 07, 08, 09, 10, 14)	L	224.478 ○

(UMO 08-02)	223.161 ○
(UMO 08-00, 03, 05, 06, 07, 08, 09, 15, 16)	224.474 ○
(UMO 08-01, 10, 12, 13, 14)	224.475 ○

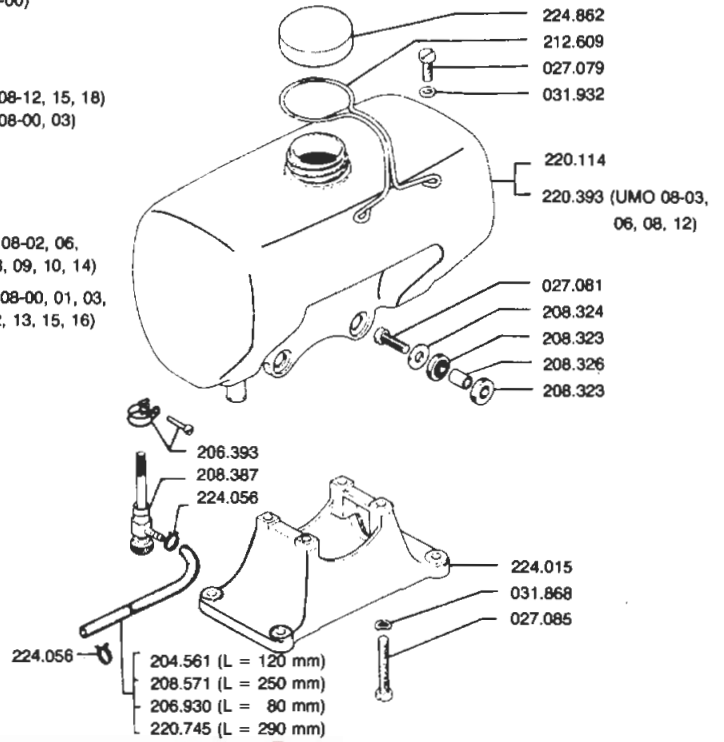
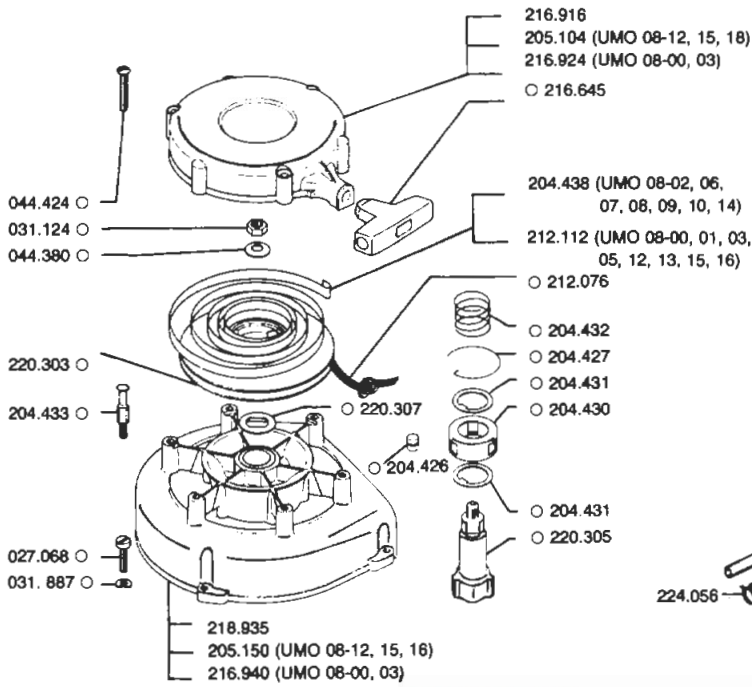




ZAGANJALNA NAPRAVA, PUHALO  
 STARTER DEVICE, BLOWER  
 LANCEUR, VENTILATEUR  
 DISPOSITIVO D'AVVIAMENTO, VENTILATORE

- 216.934 (UMO 08-02, 10)
- 224.183 (UMO 08-14)
- 224.273 (UMO 08-03)
- 224.749 (UMO 08-01, 05, 13)
- 224.750 (UMO 08-08, 08, 09)
- 224.751 (UMO 08-07)
- 235.793 (UMO 08-12, 16)
- 235.792 (UMO 08-15)
- 220.688 (UMO 08-00)

REZERVOAR  
 FUEL TANK  
 RESERVOIR  
 SERBATOIO

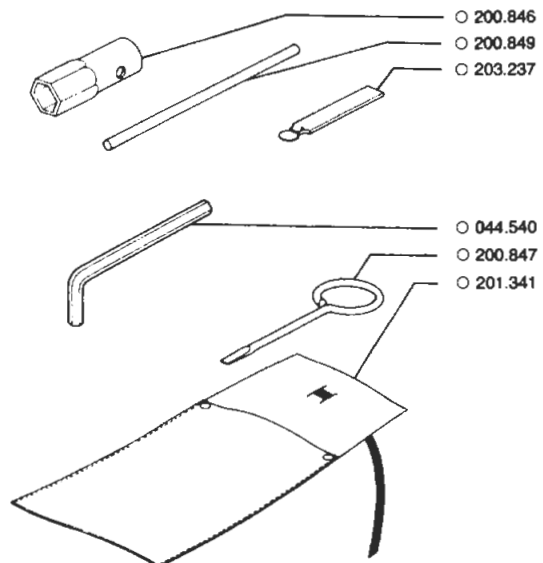
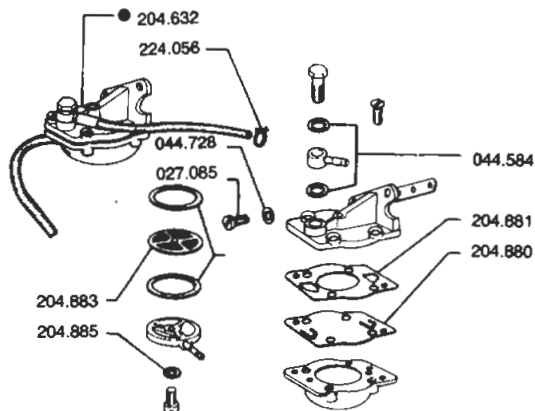


[www.agmoto.hr](http://www.agmoto.hr)

tel 051-584-123

ČRPALKA ZA GORIVO  
 FUEL PUMP  
 POMPE A ESSENCE  
 POMPA CARBURANTE

ORODJE IN PRIBOR  
 TOOLS AND ACCESSORIES  
 OUTILLAGE, ACCESSOIRES  
 BORSA ATTREZZI



# INDEX

Šifra Part. No. No. Code N. Cod	Skupina Section Section Gruppo	Šifra Part. No. No. Code N. Cod	Skupina Section Section Gruppo	Šifra Part. No. No. Code N. Cod	Skupina Section Section Gruppo	Šifra Part. No. No. Code N. Cod	Skupina Section Section Gruppo
026.275	A	201.341	J	212.094	E	220.530	A
026.573	B	202.329	G	212.096	C	220.535	C
026.575	B	203.221	A	212.107	D	220.670	B, F
027.053	D, G	203.237	J	212.112	I	220.688	I
027.054	G	203.256	B	212.288	D	220.743	A
027.057	G	204.276	G	212.448	E, F	220.745	I
027.058	G	204.412	A	212.478	D	220.899	G
027.063	A	204.414	A	212.482	D	220.920	B
027.065	G, J	204.426	I	212.484	D, E, F	223.161	G
027.067	D	204.427	I	212.485	D	223.164	G
027.068	I	204.430	I	212.609	I	223.166	G
027.078	A, D, E, F	204.431	I	212.646	E	224.015	I
027.079	A, I	204.432	I	212.814	G	224.056	I, J
027.081	A, I	204.433	I	212.887	D, E	224.121	E
027.085	A	204.438	I	212.926	D	224.183	I
027.145	A, D, E, F	204.561	I	212.945	A	224.185	D, E, F
030.009	C	204.632	J	212.948	C	224.196	A
031.071	G	204.880	J	215.466	E	224.273	I
031.073	D	204.881	J	215.487	C	224.288	E
031.124	I	204.883	J	216.137	D, E, F	224.454	A
031.209	D	204.885	D, J	216.138	D, E, F	224.456	C
031.507	G	205.104	I	216.139	D, E, F	224.458	G
031.506	A	205.150	I	216.160	D	224.459	F
031.843	D, G	205.170	D	216.456	D	224.461	F
031.867	G, I	205.171	D, E, F	216.594	B	224.462	F
031.888	A, B, C, D, E, F, I	206.661	D, E, F	216.615	C	224.467	B
031.932	I	206.663	D, E, F	216.616	B	224.474	G
031.934	C	206.678	D, E, F	216.617	B	224.475	G
031.942	G	206.681	D, E, F	216.618	B	224.477	G
031.999	G	206.917	G	216.619	A	224.478	G
032.004	A	206.918	G	216.625	B	224.479	G
032.039	B	206.930	I	216.626	A	224.481	G
032.063	A	208.323	I	216.627	B	224.483	G
032.069	A	208.324	I	216.628	B	224.489	I
032.145	C	206.326	I	216.645	I	224.490	F
035.072	A	206.334	E	216.709	A	224.697	C
035.074	C	208.341	A	216.901	B	224.713	F
035.501	A	208.352	D, E, F	216.916	I	224.714	F
035.518	C	208.353	A	216.924	I	224.715	F
036.555	A, C	208.354	A	216.924	I	224.716	F
036.556	C	208.358	F	216.928	A	224.717	F
037.055	A	208.358	E	216.934	I	224.718	F
038.006	C	208.358	E	216.935	I	224.749	I
044.110	A	208.361	A	216.940	I	224.750	I
044.380	I	208.362	A	216.992	A	224.751	I
044.424	I	208.363	A	220.006	E	224.773	A
044.540	J	208.367	A	220.006	D	224.775	C
044.584	J	208.384	A	220.007	D	224.862	I
044.598	B	208.387	I	220.075	D, E	224.883	F
044.599	B	208.393	I	220.076	D	235.222	A
044.728	A, J	208.571	I	220.114	I	235.381	C
044.827	B	210.888	A	220.121	I	235.487	A
044.850	B, D	210.890	A	220.237	A	235.488	A
044.864	A, D, E, F	210.891	A	220.303	I	235.556	C
072.085	I	210.893	A	220.305	I	235.558	G
200.048	C	210.894	A	220.307	I	235.651	C
200.070	D	212.076	I	220.317	B	235.763	C
200.248	A	212.085	A	220.384	D, E, F	235.769	A
200.384	E	212.086	A	220.393	I	235.792	I
200.846	J	212.087	A	220.402	C	235.793	I
200.847	J	212.088	A	220.495	A	240.637	G
200.849	J	212.094	F	220.527	A		

www.agmco.hr  
tel: 051-584123